

STR-D1015

SERVICE MANUAL

US Model
Canadian Model
E Model



Manufactured under license from Dolby Laboratories Licensing Corporation. Additionally licensed under one or more of the following patents; U.S. number 3,959,590; Canadian numbers 1,004,603 and 1,037,877. "Dolby", "Pro Logic", and the double-D symbol are trademarks of Dolby Laboratories Licensing Corporation.

SPECIFICATIONS

Audio Power Specifications

POWER OUTPUT AND TOTAL HARMONIC DISTORTION

With 8-ohm load, both channels driven, from 20 - 20,000 Hz, rated 120 watts per channel minimum RMS power, with no more than 0.15 % total harmonic distortion from 250 milliwatts to rated output.

Other Specifications

Amplifier section

Continuous RMS power output (8 ohms, at 20 Hz - 20 KHz (US, Canadian model), 1kHz (E model) less than 0.15 % total harmonic distortion) (FRONT)

123 W + 123 W

Surround mode

Surround mode (8 ohms at 1 kHz, THD 0.8 %)

FRONT: 100 W / ch
CENTER*: 100 W
REAR: 25 W

* (only in the DOLBY SUR and THEATER modes)

Dynamic power output

165 W + 165 W (8 ohms)
260 W + 260 W (4 ohms)

Harmonic distortion at rated output

Less than 0.15 %

Frequency response PHONO: RIAA equalization curve
±0.5 dB
CD, DAT/MD, TAPE MONITOR,
VIDEO 1, 2, 3: 10 Hz - 50 kHz, ±0 dB

Inputs

	Sensitivity	Impedance	S/N Short A Net/'78 IHF A Net
PHONO (MM)	2.5 mV	50 kilohms	75 dB / 75 dB
CD	300 mV	50 kilohms	82 dB / 82 dB
DAT/MD, TV, LD, VIDEO 1, 2, 3, TAPE MONITOR	250 mV	50 kilohms	82 dB / 82 dB

FM tuner section

Tuning range 87.5 - 108.0 MHz
Antenna terminals 75 ohms, unbalanced
Sensitivity (at 50 dB): 18.3 dBf, 4.5 μV (mono)
38.3 dBf, 45 μV (stereo)
Usable sensitivity 11.2 dBf, 2 μV (IHF)
S/N Mono: 76 dB
Stereo: 70 dB
Harmonic distortion at 1 kHz
Mono: 0.3 %
Stereo: 0.5 %
Separation 45 dB at 1 kHz
Frequency response 30 Hz - 15 kHz, -0.5 dB
Selectivity 60 dB at 400 kHz

AM tuner section

Tuning range 530 - 1710 kHz (with 10 kHz interval*)
531 - 1710 kHz (with 9 kHz interval)
Antenna 50 dB / m (at 1,000 kHz or 999 kHz)
Loop antenna
Usable sensitivity 54 dB (at 50 mV / m)
S/N 0.5% (50 mV / m, 400 Hz)
Harmonic distortion
Selectivity 35 dB (9 kHz), 40 dB (10 kHz)

* You can change the AM tuning interval to 9 kHz. After tuning in any AM tuning in any AM station, turn off the power of receiver once. While holding down the TUNING + button, press the POWER switch. When you change the interval, all the preset stations will be erased. To reset the interval, repeat the same procedure.

Video section

Inputs VIDEO 1,2,3:
1 Vp-p 75 ohms
Outputs VIDEO 1, 2, MONITOR:
1 Vp-p 75 ohms

General System

Tuner section: PLL quartz-locked digital synthesizer system
Low-noise NF type equalizer
Power amplifier section: Pure-complimentary SEPP
Preamplifier section
Power requirements USA, Canadian model: 120 V AC, 60 Hz
E model: 120/220/240 V AC, 50/60 Hz
Power consumption (in standby condition: 5W)
USA model: 220 W
Canadian model: 310 W
E model: 280 W
AC outlets Two switched, total 120 W
Dimensions 430 x 160 x 425 mm
(17 x 6 2/3 x 16 5/8 inches)
Mass 13.1 kg (28 lb 14 oz)
Supplied accessories FM wire antenna (1)
AM loop antenna (1)
Remote commander (1)
Sony Batteries SUM-3(NS) (2)

Design and specifications are subject to change without notice.

Outputs

REC OUT VIDEO 1, 2 (AUDIO) OUT	Voltage 250 mV Impedance 10 kilohms
HEADPHONES	Accepts low and high impedance headphones

MUTING -20 dB
LOW BOOST +10 dB at 70 Hz
TONE ±8 dB at 100 Hz and 10 kHz

FM STEREO FM-AM RECEIVER
SONY®

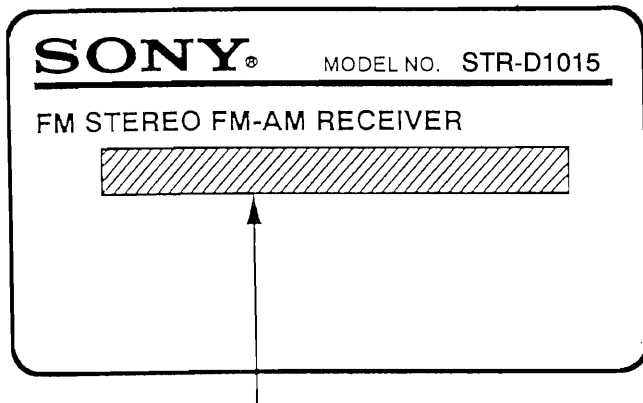


TABLE OF CONTENTS

Section	Title	Page
1.	SERVICING NOTE	3
2.	GENERAL	4
3.	DIAGRAMS	
3-1.	Circuit Boards Location	7
3-2.	Semiconductor Lead Layouts	9
3-3.	Block Diagram	11
3-4.	Printed Wiring Board — Surround Section —	15
3-5.	Schematic Diagram — Surround Section —	19
3-6.	Schematic Diagram — Main Section —	24
3-7.	Printed Wiring Boards — Main Section —	29
3-8.	Printed Wiring Boards — Display Section —	34
3-9.	Schematic Diagram — Display Section —	36
3-10.	IC Pin Functions	
	• IC106 (TC9174P) LED Driver	40
	• IC202 ((μ PD75518GF-195-3B9) Main Controller	41
4.	EXPLODED VIEWS	
4-1.	Front Panel Section	43
4-2.	Back Panel Section	44
4-3.	Power Transformer Section	45
5.	ELECTRICAL PARTS LIST	46

MODEL IDENTIFICATION

— Specification Label —



US model : AC 120V 60Hz 220W
 Canadian model : AC 120V 60Hz 310VA
 E model : AC 120/220/240V~50/60Hz 280W

SAFETY-RELATED COMPONENT WARNING !!

COMPONENTS IDENTIFIED BY MARK Δ OR DOTTED LINE WITH MARK Δ ON THE SCHEMATIC DIAGRAMS AND IN THE PARTS LIST ARE CRITICAL TO SAFE OPERATION. REPLACE THESE COMPONENTS WITH SONY PARTS WHOSE PART NUMBERS APPEAR AS SHOWN IN THIS MANUAL OR IN SUPPLEMENTS PUBLISHED BY SONY.

SAFETY CHECK-OUT

After correcting the original service problem, perform the following safety checks before releasing the set to the customer:

Check the antenna terminals, metal trim, "metallized" knobs, screws, and all other exposed metal parts for AC leakage. Check leakage as described below.

LEAKAGE

The AC leakage from any exposed metal part to earth ground and from all exposed metal parts to any exposed metal part having a return to chassis, must not exceed 0.5 mA (500 microamperes). Leakage current can be measured by any one of three methods.

1. A commercial leakage tester, such as the Simpson 229 or RCA WT-540A. Follow the manufacturers' instructions to use these instruments.
2. A battery-operated AC milliammeter. The Data Precision 245 digital multimeter is suitable for this job.
3. Measuring the voltage drop across a resistor by means of a VOM or battery-operated AC voltmeter. The "limit" indication is 0.75 V, so analog meters must have an accurate low-voltage scale. The Simpson 250 and Sanwa SH-63Trd are examples of a passive VOM that is suitable. Nearly all battery operated digital multimeters that have a 2V AC range are suitable. (See Fig. A)

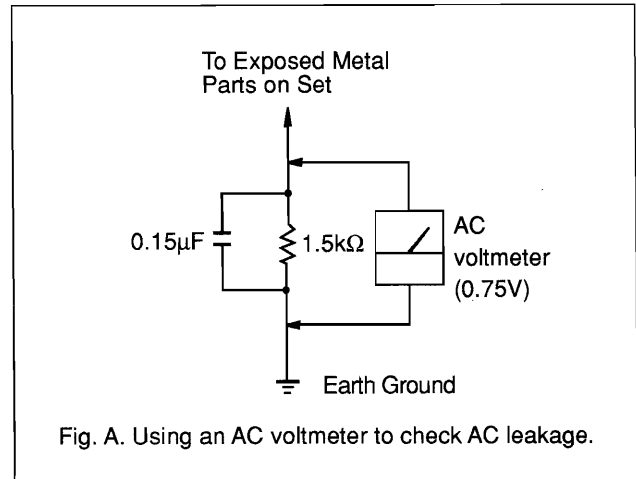


Fig. A. Using an AC voltmeter to check AC leakage.

ATTENTION AU COMPOSANT AYANT RAPPORT À LA SÉCURITÉ!!

LES COMPOSANTS IDENTIFIÉS PAR UNE MARQUE Δ SUR LES DIAGRAMMES SCHÉMATIQUES ET LA LISTE DES PIÈCES SONT CRITIQUES POUR LA SÉCURITÉ DE FONCTIONNEMENT. NE REMPLACER CES COMPOSANTS QUE PAR DES PIÈCES SONY DONT LES NUMÉROS SONT DONNÉS DANS CE MANUEL OU DANS LES SUPPLÉMENTS PUBLIÉS PAR SONY.

SECTION 1

SERVICING NOTE

CHECK MODE The movement check of the set as follows :

SUBJECT	WITH WHAT HELD DOWN	WHAT IS OPERATED	WHAT FUNCTION IS PERFORMED
ALL CLEAR	10 KEY [4], [5], [6]	POWER ON	Initialize

ALL CLEAR

When ten-keys [4], [5] and [6] key are pressed simultaneously and the power is turned on, all the RAMs are cleared and initialized.

◎Initial Operation Set State(1)

FUNCTION	TUNER	FM 87.50MHz(AM 530kHz)
		FM MODE AUTO
		TUNING LEVEL LOW
		INDEX NO INDEX (.....)
		PRESET NO. None(A_)
MONiTOR	VIDEO 1	
TAPE MONITOR	OFF	
LOW BOOST	OFF	
MUTING (-20dB)	OFF	
CURSOR MODE	SUR	
SOUND FIELD	OFF	
tone	DEFEAT	
FUNC. INDEX NAME	SAME FUNC. NAME	
TEST TONE	OFF	
DISPLAY MODE	NORMAL	
LAST S.F.MODE	ACOUSTIC	

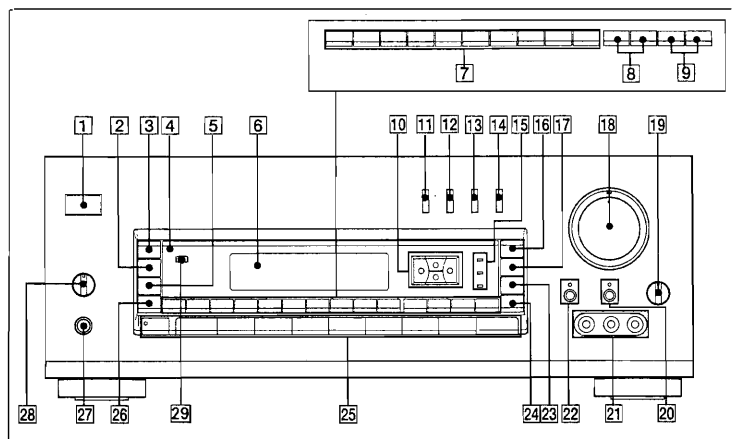
◎Initial Operation Set State (2 : Sound Field)

HALL	BASS(dB)	+2
	TREBLE(dB)	0
	DELAY TIME(ms)	30
	REAR LEVEL(dB)	0
DANCE	BASS(dB)	+8
	TREBLE(dB)	+6
	DELAY TIME(ms)	20
	REAR LEVEL(dB)	0
LIVE	BASS(dB)	+2
	TREBLE(dB)	+4
	DELAY TIME(ms)	30
	REAR LEVEL(dB)	0
DOLBY SURROUND	BASS(dB)	0
	TREBLE(dB)	0
	DELAY TIME(ms)	15
	REAR LEVEL(dB)	0
	CENTER LEVEL(dB)	0
	CENTER MODE	PHANTOM
THEATER	BASS(dB)	+4
	TREBLE(dB)	-4
	DELAY TIME(ms)	15
	REAR LEVEL(dB)	0
	CENTER LEVEL(dB)	0
	CENTER MODE	PHANTOM
ACOUSTIC	BASS(dB)	0
	TREBLE(dB)	0

SECTION 2 GENERAL

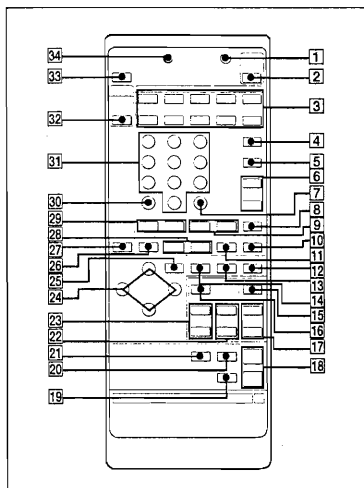
This section is extracted from instruction manual.

Front Panel



- 1 POWER switch
- 2 FM MODE button (See page 15.)
- 3 FM/AM button (See pages 15, 16.)
- 4 Remote sensor
- 5 LEVEL button (See page 16.)
- 6 Display window
- 7 Numeric buttons (See pages 15, 16, 17.)
- 8 INDEX SELECT/TUNING +/- buttons (See pages 16, 22.)
- 9 PRESET TUNING +/- buttons (See pages 17, 23.)
- 10 DIGITAL PROCESSING CONTROL buttons (See pages 22, 23, 28, 29, 31.)
- 11 SOUND FIELD ON/OFF button (See pages 19, 28, 29, 31, 32.)
- 12 SOUND FIELD MODE button (See pages 19, 28, 29, 31, 32.)
- 13 CENTER MODE button (See pages 27, 28.)
- 14 TONE ON/DEFEAT button (See pages 31, 32.)
- 15 DPC MODE indicators (See pages 22, 23, 29, 31.)
- 16 DPC MODE button (See pages 22, 23, 28, 29, 31.)
- 17 DISPLAY button (See pages 16, 23.)
- 18 MASTER VOLUME control (See page 11.)
- 19 BALANCE control (See page 11.)
- 20 LOW BOOST button and indicator (See page 11.)
- 21 VIDEO 3 INPUT jacks
- 22 MUTING -20 dB button and indicator (See page 11.)
- 23 SHIFT button (See pages 16, 17.)
- 24 DIRECT button (See page 15.)
- 25 Function selectors and TAPE MONITOR button and indicator (See pages 10, 11, 20, 21, 23.)
- 26 MEMORY button (See page 16.)
- 27 HEADPHONES jack
- 28 SPEAKERS selector (See page 11.)
- 29 STANDBY indicator (The STANDBY indicator lights up when the power cord is connected: E model only)

Remote Control



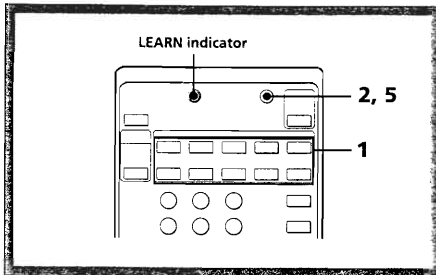
- 1 LEARN button (See pages 25, 26)
- 2 SYSTEM OFF button (See pages 12)
- 3 SYSTEM CONTROL/FUNCTION TAPE, DAT/MD, CD, TUNER, PHONO, VIDEO 1, VIDEO 2, VIDEO 3, LD, TV buttons (See pages 10, 11, 12, 13, 26)
- 4 VISUAL POWER button (See pages 12, 13)
- 5 TV/VIDEO, INDEX button (See pages 12, 13)
- 6 CH (channel)/PRESET +/- buttons (See pages 12, 13)
- 7 RMS (random music sensor)/START, ENTER button (See pages 12, 13)
- 8 ANT (antenna) TV/VTR, D (disc) SKIP button (See pages 12, 13)
- 9 <<<, >>> (AMS: Automatic Music Sensor) buttons (See pages 12, 13)
- 10 ● (recording) button (See pages 12, 13, 26)
- 11 || (pause) button (See pages 12, 13)
- 12 EQ (equalizer) /TONE ON/OFF button (See pages 31)
- 13 EQ (equalizer) SLOPE button*
- 14 EQ (equalizer) BAND button*
- 15 SOUND FIELD ON/OFF button (See pages 19, 28, 29, 31, 32)
- 16 T. TONE button (See page 28)
- 17 SOUND FIELD MODE +/- buttons (See pages 19, 28, 29, 31, 32)
- 18 MASTER VOL +/- buttons (See pages 11, 28)
- 19 MUTING button (See page 11)
- 20 LOW BOOST button (See page 11)
- 21 DIRECT (PASS) button*
- 22 CENTER LEVEL +/- buttons (See page 28)
- 23 REAR LEVEL +/- buttons (See page 28)
- 24 DIGITAL PROCESSING CONTROL buttons (See pages 22, 23, 24, 28, 29, 31)
- 25 DPC (Digital Processing Control) MODE button (See pages 22, 23, 29, 31)
- 26 RMS (Random Music Sensor) CLEAR, ■ button (See pages 12, 13)
- 27 BACK GROUND button (See pages 13, 26)
- 28 ◀ (forward play), ▶ (play), RMS (Random Music Sensor) DIRECTION buttons (See pages 12, 13, 26)
- 29 ◀◀, ▶▶ (search) button (See pages 12, 13)
- 30 > 10 (over 10), SHIFT button (See pages 12, 16, 17)
- 31 Numeric buttons (1 to 0) (See pages 12, 14, 15, 17)
- 32 TV CONTROL ON button (See pages 12, 13)
- 33 SLEEP button (See page 24)
- 34 LEARN indicator (See pages 25, 26)

* Can not be used with this unit.

Programming Signals for Non-Sony Components

Once this remote learns the signals of the other components, you can use other non-Sony components as part of your system. Also if any of your other Sony components fail to operate with this remote, use this programming function. Your remote can "learn" only the signals from remotes that are infrared wireless remotes. Before you program signals, make sure that the two remotes:

- face straight each other (as shown in step 3 below)
- are placed at a distance of approximately 2 inches (5 cm)
- are not moved during programming

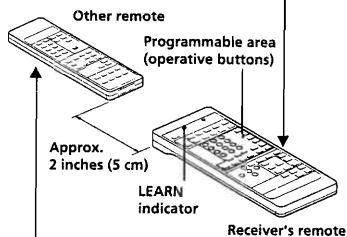


1 Press the FUNCTION button of the component to be programmed.
For example, if you want to program a CD player's remote control, press CD.

2 Press the LEARN button with a ball-point pen, etc., so that the indicator lights up.

3 Program a signal.

① On this receiver's remote, press the button that is to "learn" the signal from the other remote until the LEARN indicator blinks slowly.



② On the other remote, hold down the button you want the receiver's remote to "learn."

③ Remove your finger(s) from the button(s) after the LEARN indicator on this remote lights up.

Note

You can program only specific buttons for specific components. See "Operative Buttons" on pages 12 and 13 for a list of the buttons that can be programmed for each component type. If you press a button that cannot be programmed in step ①, the LEARN indicator blinks rapidly.

4 Repeat step 3 for other buttons that you want to program.

5 Press the LEARN button with a ball-point pen, etc.
The LEARN indicator lights for a few seconds. After the indicator goes off, you can control other components with the programmed buttons.

After programming

Be sure to test that the component really works with the programmed signals.

How many signals can you store in memory?

You can store approximately 60 signals, depending on the format of the signal being used.

Memory capacity

If the LEARN indicator does not blink or light in step 3-① or ②, this indicates that the memory capacity is full. In this case, clear the signal stored in that button following the procedure described in "To clear a programmed signal" and program again from the beginning. When programming, avoid the following conditions.

- Placing the remotes too far apart from each other.
- Exposing the remotes to intense light such as of inverter fluorescent lamp.
- Receiving infrared signals of another appliance's remote.

Notes on programming

- Remote control signals of components of manufacturers other than Sony can be programmed only when they are compatible with the infrared wireless remote control system. Since the programmable remote can "learn" only the signals output from another remote, it cannot control components that do not use a remote.
- Do not attempt to use the programmable remote with an air conditioner or other household appliance.
- Note that there are some special remote control signals that cannot be programmed.
- The SYSTEM CONTROL/FUNCTION button of this remote does not work for the other components even if their signals are programmed.

Note

If you do not perform the next operation in about one minute after steps 2 and 3-①, the learning mode will be canceled. If this happens, start again at step 1.

Programming a New Signal onto a Previously Programmed Button

Follow the programming procedure described on page 25. The previously programmed signal is cleared and replaced by the new signal.

To clear a programmed signal

- 1 Press the LEARN button with a ball-point pen, etc., so that the LEARN indicator lights up.
- 2 Press the button to be cleared while pressing the BACKGROUND button until the LEARN indicator goes off.

To program a signal onto the ● button for recording

It is not possible to operate any component with only the ● button. You have to program the record standby signal and record start signal under the ● + ► button on the receiver's remote. With a tape deck, you can also program the signal under the ● + ◄ button (in the reverse direction).

Notes on batteries

If the LEARN indicator does not light when a button is pressed, this means that the batteries are low. When the batteries are low, the remote can no longer operate the unit and programming becomes impossible. If this happens, replace both batteries with new ones. We recommend you use alkaline batteries for extended use.

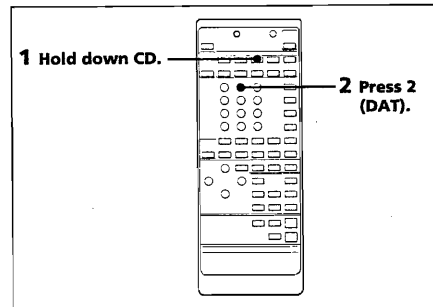
Changing the Settings of the FUNCTION Buttons

The FUNCTION buttons are preset to operate only specific components. (The CD button operates only the CD player.) However, if you want to use different components, you can change the presets to control these different components. For example, if you connect a DAT deck to the CD IN jacks, you can operate the DAT deck with the CD FUNCTION button by changing the preset function to the DAT function.

To change the settings of the FUNCTION buttons

- 1 Hold down the FUNCTION button that you want to change.
- 2 Press one of the numeric (0 to 9) buttons to select a new component.

Example: To change the CD FUNCTION button to operate a DAT deck, press 2 (for the DAT deck) while holding down the CD button.



Notes

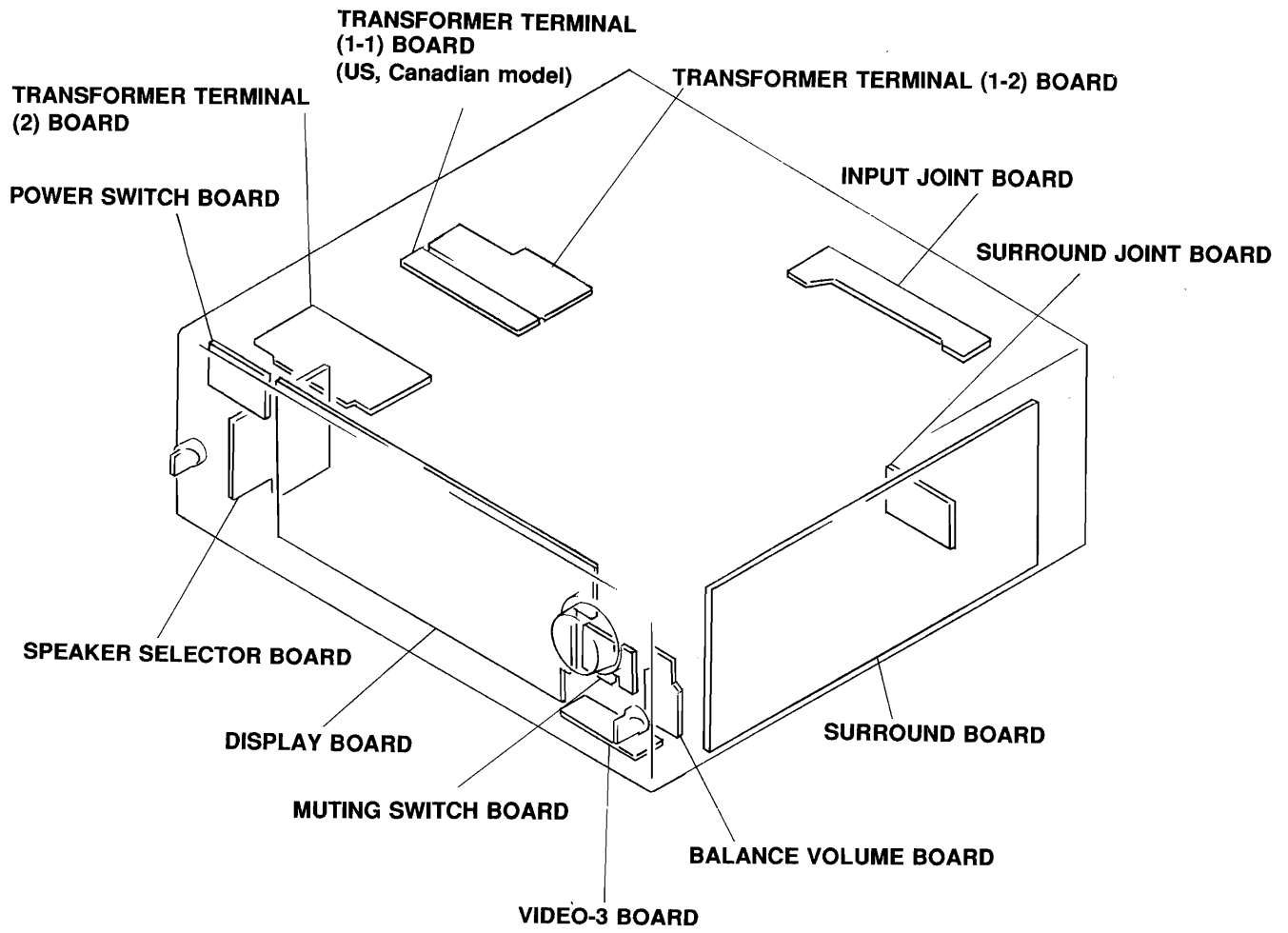
- The settings of the TUNER button and the PHONO button cannot be changed.
- To change the FUNCTION buttons back to their original preset, perform these procedures again.

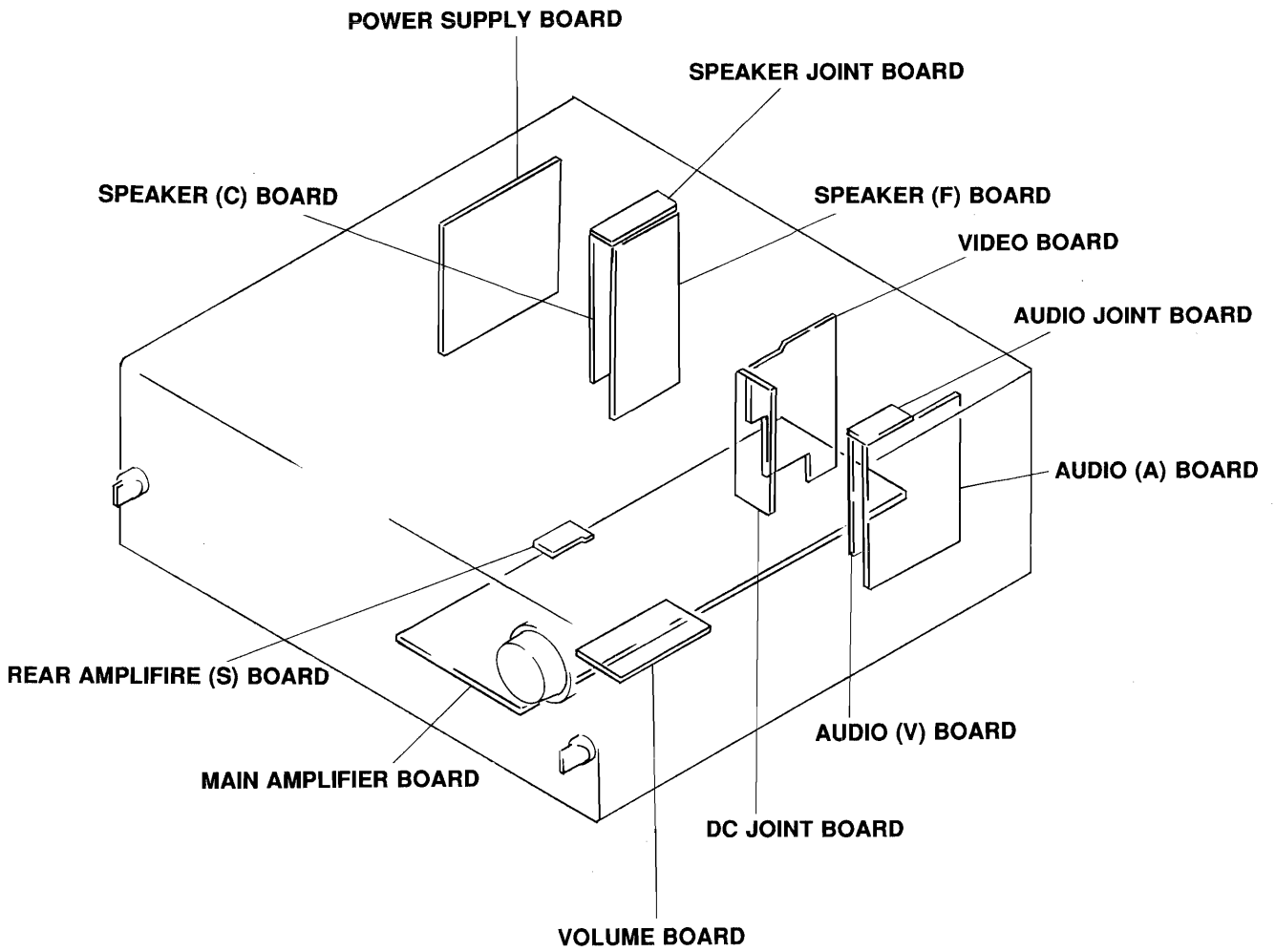
With the numeric buttons (0 to 9), each function can be selected as described in the following table:

The function to be selected	Numeric buttons
TV	0
CD player	1
DAT deck	2
MD recorder	3
DECK A	4
DECK B	5
LD player	6
VCR 1 (Remote control mode)	7
VCR 2 (Remote control mode)	8
VCR 3 (Remote control mode)	9

SECTION 3 DIAGRAMS

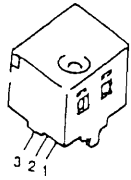
3-1. CIRCUIT BOARDS LOCATION



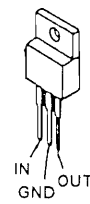


3-2. SEMICONDUCTOR LEAD LAYOUTS

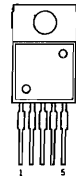
GP1U58XB



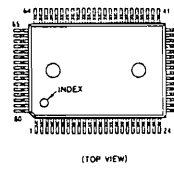
M5F78M05L
TA78M12S



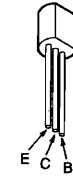
SI-18752-LM



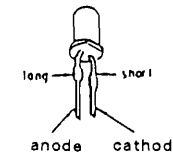
uPD75518GF-195-3B9



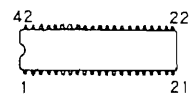
2SC1845-EA



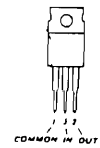
SEL2210S-TH10



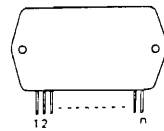
LA2785



M5F79M12L



STK350-130A



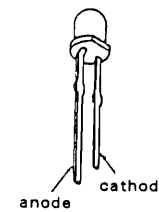
DTA114ES
DTA124ES
DTC114ES
DTC124ES
2SC2785-FEK
2SC3623A-LK



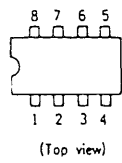
2SC4495
2SD2012



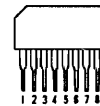
SEL2810A



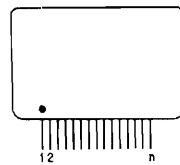
LB1639
M5218AP



M5218AL



STK-3122-3



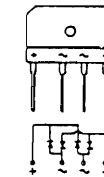
2SA988-PAFAEA



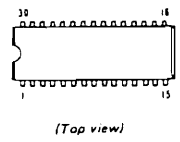
2SD774-34
2SD809-K



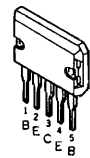
RBA-402
RBV-602-01



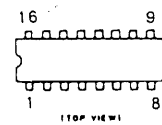
LC7822



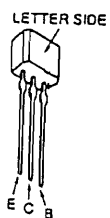
NE-N250
NE-P250



TC9174P



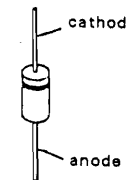
2SA1175-HFE



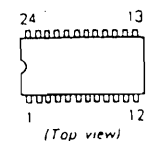
2SK246-GR3



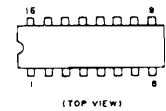
1S1585
1N4148M



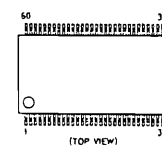
LV1010N



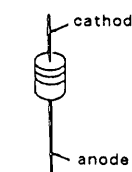
PC74HC237
SN74HC151AN
SN761200N
TC9184P

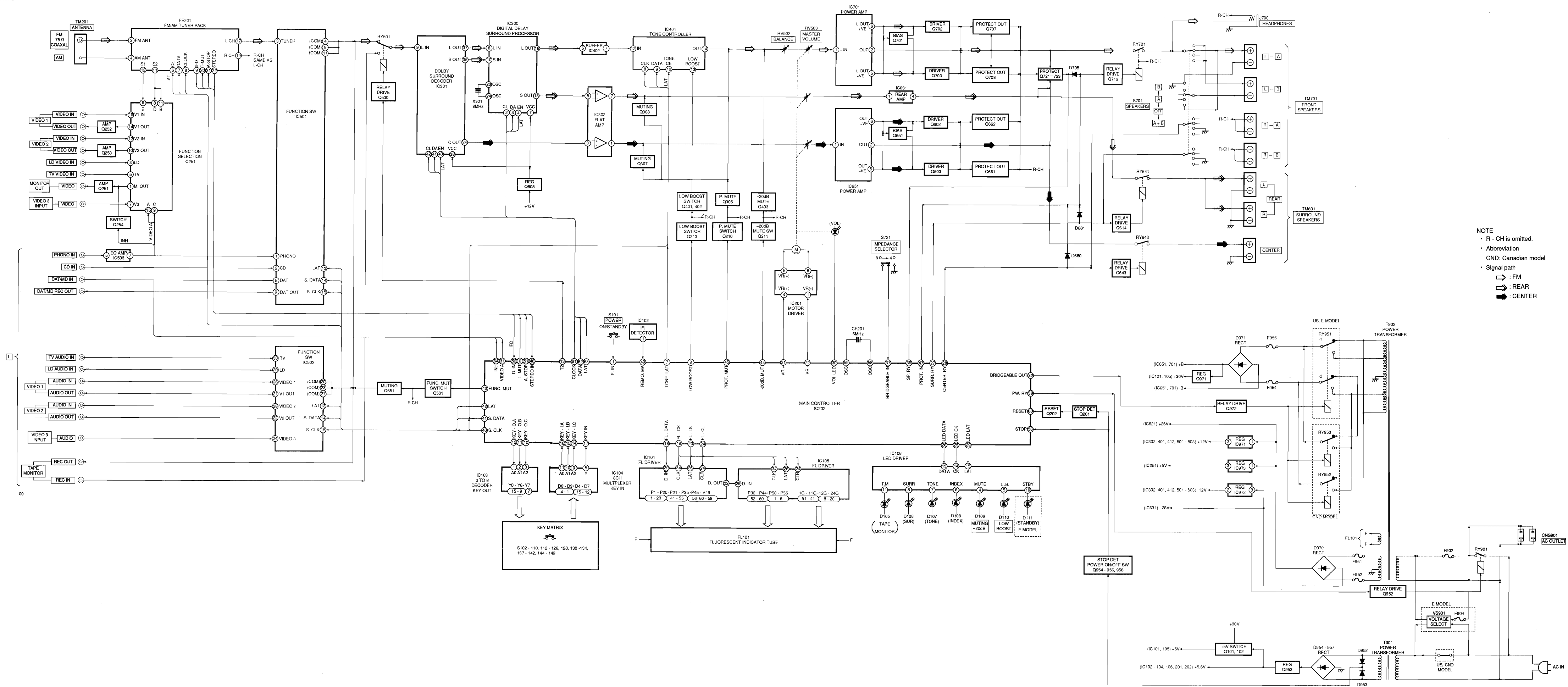


TD62C950RF

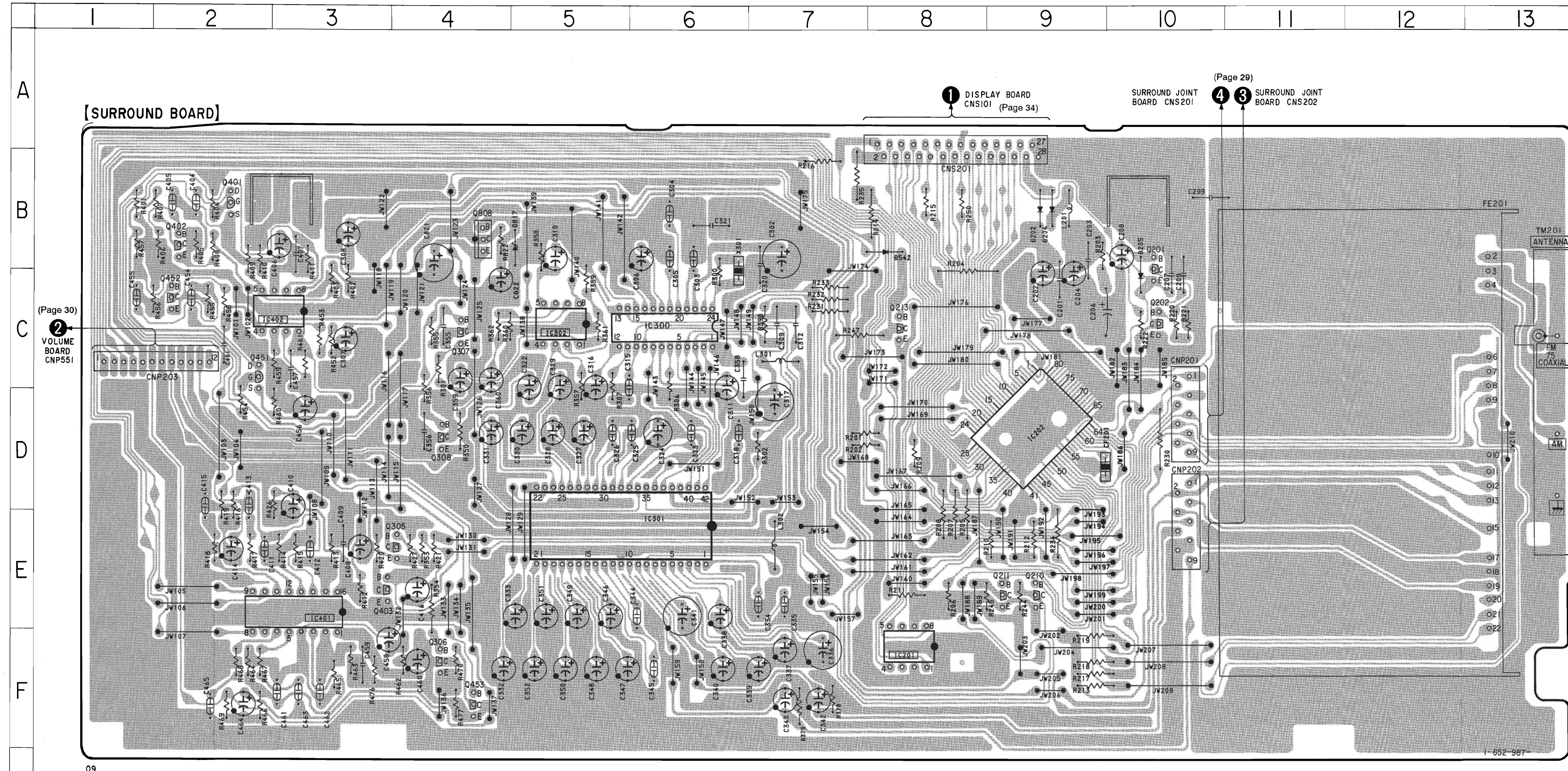


HZS4ALL
HZS6C3L
UZL-9H3
UZL-36H
UZP-5.6B
11ES2-NTA2B





3-4. PRINTED WIRING BOARD — SURROUND SECTION —
 • See page 7 for Circuit Boards Location.
 • See page 9 for Semiconductor Lead Layouts.

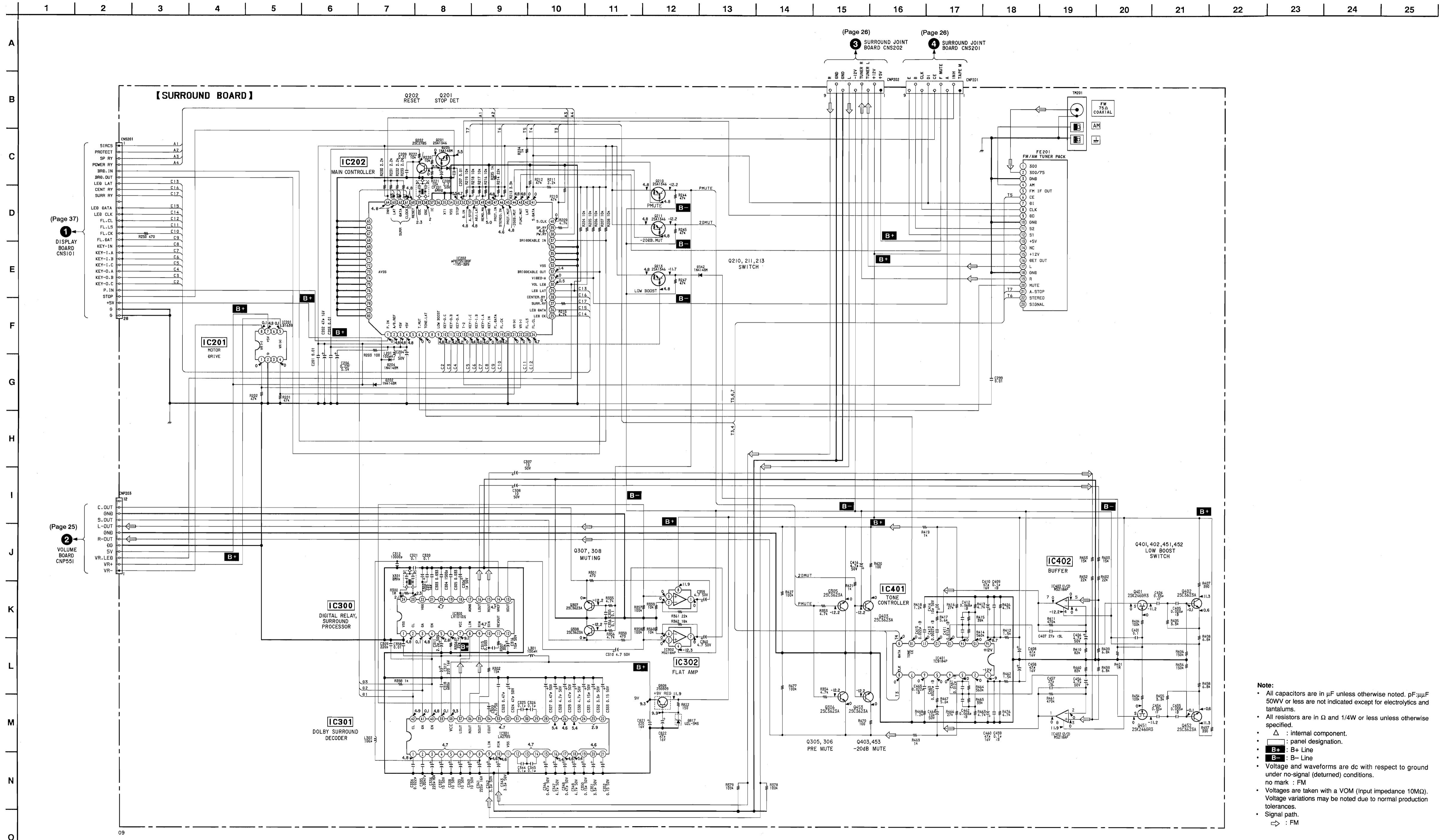


• Semiconductor Location

Ref. No.	Location
D202	B-9
D204	B-9
D205	B-10
D542	B-8
D817	B-5
IC201	F-8
IC202	D-9
IC300	C-6
IC301	E-6
IC302	C-5
IC401	F-3
IC402	C-3
Q201	B-10
Q202	C-10
Q210	F-9
Q211	F-9
Q213	C-8
Q305	F-4
Q306	F-4
Q307	C-4
Q308	D-4
Q401	B-2
Q402	B-2
Q403	F-3
Q451	C-2
Q452	C-2
Q453	F-4
Q808	B-4

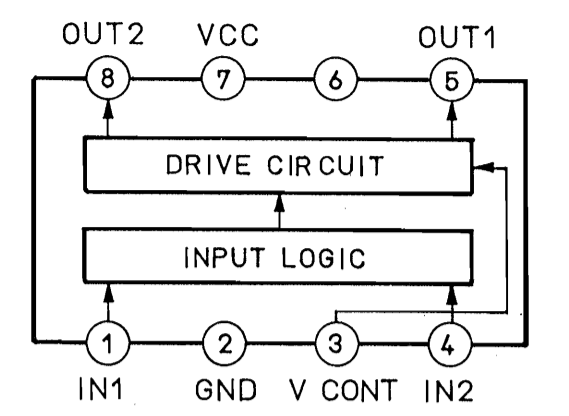
Note:
 • — : parts extracted from the component side.
 • — : Pattern from the side which enable seeing.

3-5. SCHEMATIC DIAGRAM — SURROUND SECTION —
See page 41 for IC Pin Functions. (IC202)

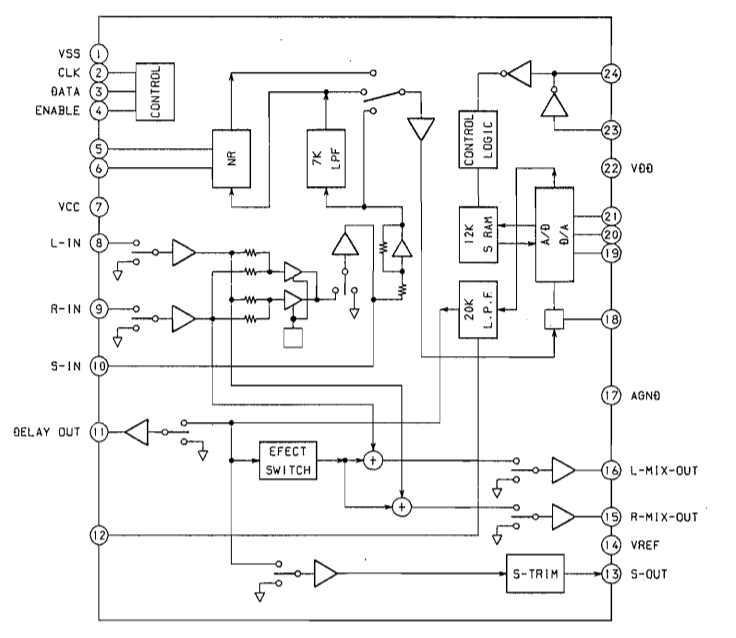


IC Block Diagrams.

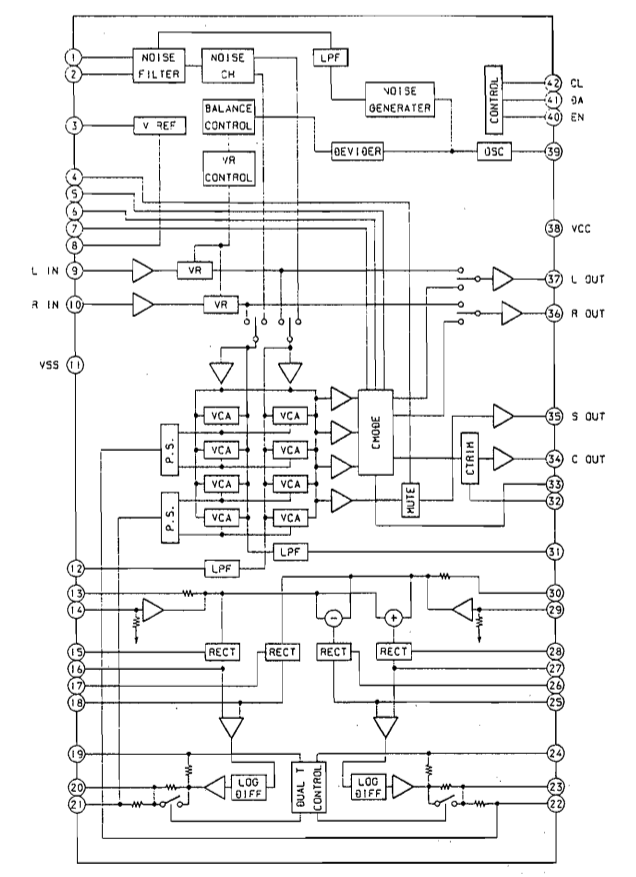
IC201 LB1639



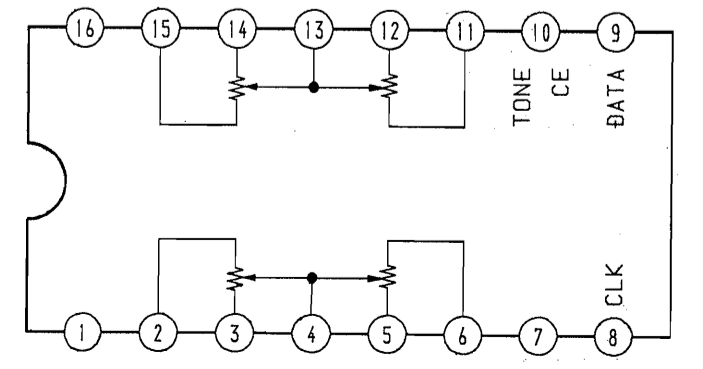
IC300 LV1010N



IC301 LA2785



IC401 TC9184P

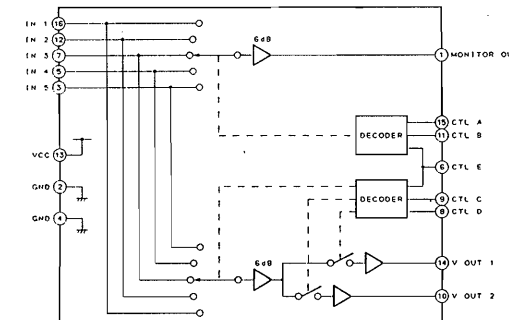


- Note:**
- All capacitors are in μF unless otherwise noted. pF , μF , 50WV or less are not indicated except for electrolytics and tantalums.
 - All resistors are in Ω and $1/4\text{W}$ or less unless otherwise specified.
 - Δ : internal component.
 - \square : panel designation.
 - $\text{B}+$: B+ Line
 - $\text{B}-$: B- Line
 - Voltage and waveforms are dc with respect to ground under no-signal (detuned) conditions.
 - no mark: FM
 - Voltagess are taken with a VOM (Input impedance $10\text{M}\Omega$). Voltage variations may be noted due to normal production tolerances.
 - Signal path.
 - \rightarrow : FM

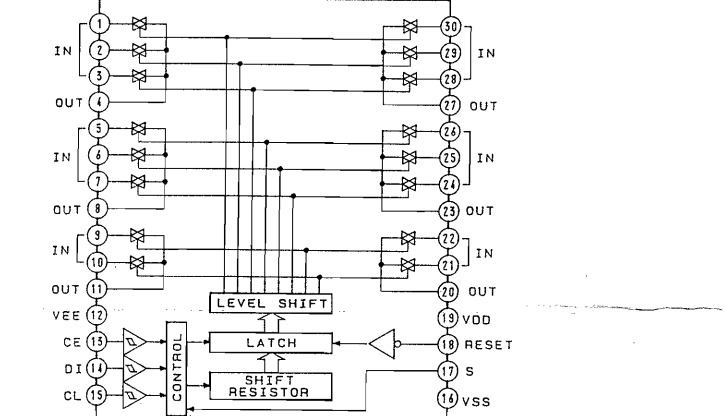
3-6. SCHEMATIC DIAGRAM — MAIN SECTION —

IC Block Diagrams.

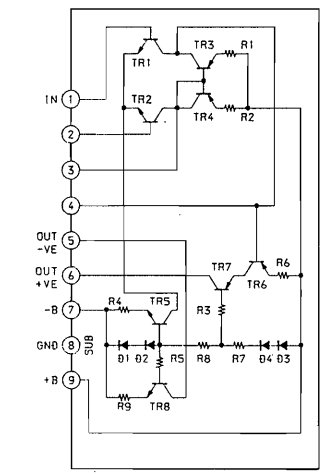
IC251 SN761200N



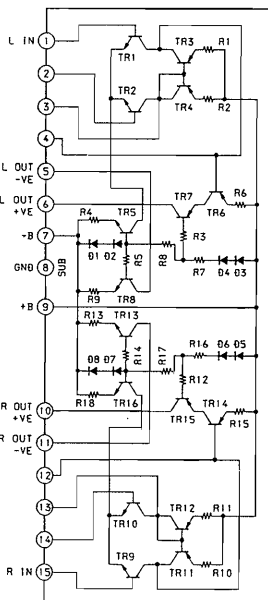
IC501, 502 LC7822



IC651 STK350-130



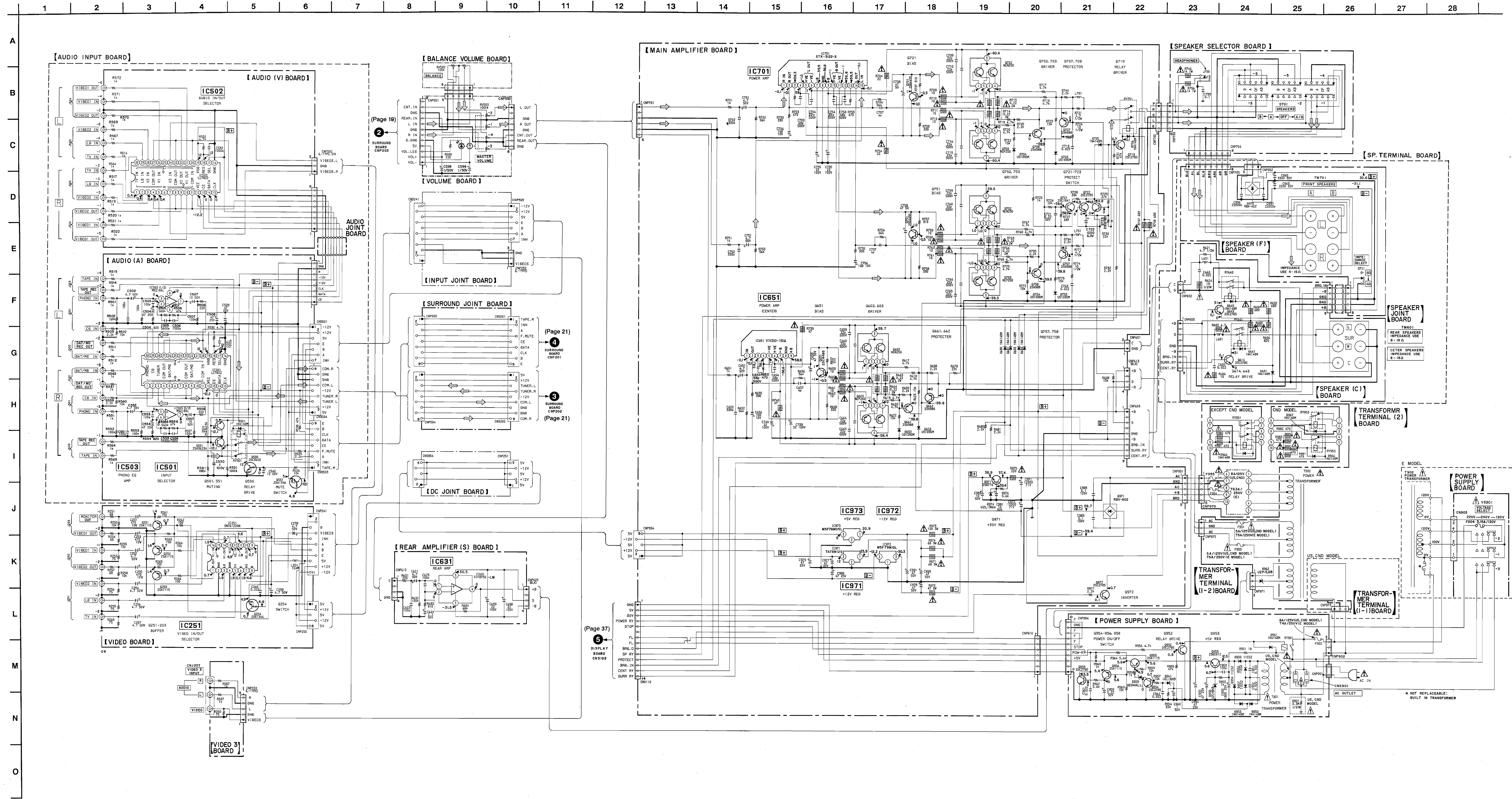
IC701 STK3122-3



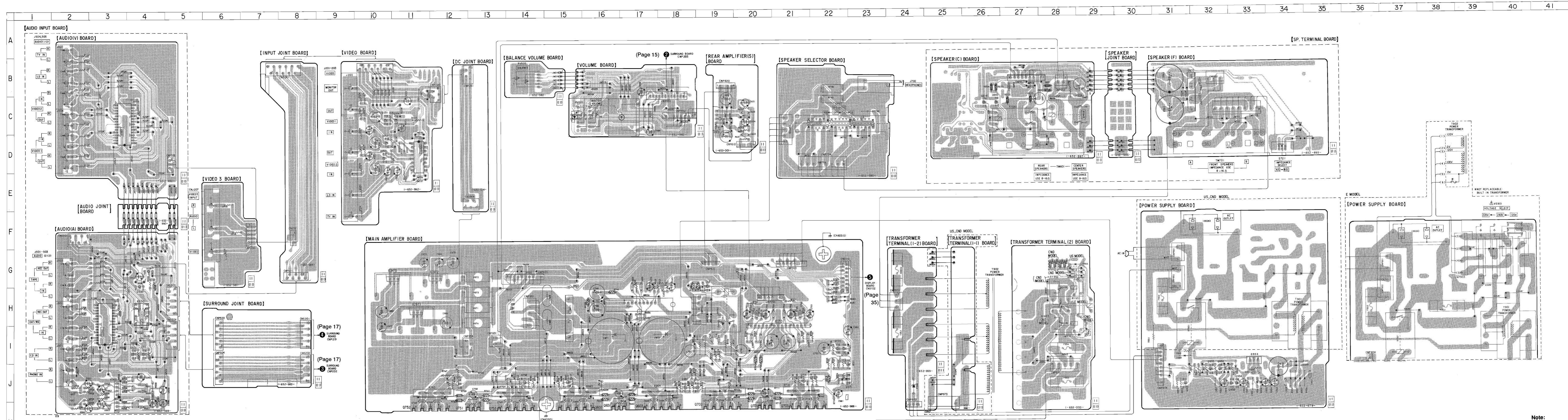
Note: All capacitors are in µF unless otherwise noted. pF=µµF 50WV or less are not indicated except for electrolytics and tantalums. All resistors are in Ω and 1/4W or less unless otherwise specified. □: nonflammable resistor. □: panel designation.

Note: The components identified by mark Δ or dotted line with mark Δ are critical for safety. Replace only with part number specified. Les composants identifiés par une marque Δ sont critiques pour la sécurité. Ne les remplacer que par une pièce portant le numéro spécifié.

Note: B+: B+ Line B-: B- Line Voltage and waveforms are dc with respect to ground under no-signal (detuned) conditions. no mark : FM Voltages are taken with a VOM (input impedance 10MΩ). Voltage variations may be noted due to normal production tolerances. Signal path. Abbreviation CND : Canadian model.



3-7. PRINTED WIRING BOARDS — MAIN SECTION —
 • See page 7 for Circuit Boards Location.
 • See page 9 for Semiconductor Lead Layouts.



• Semiconductor Location

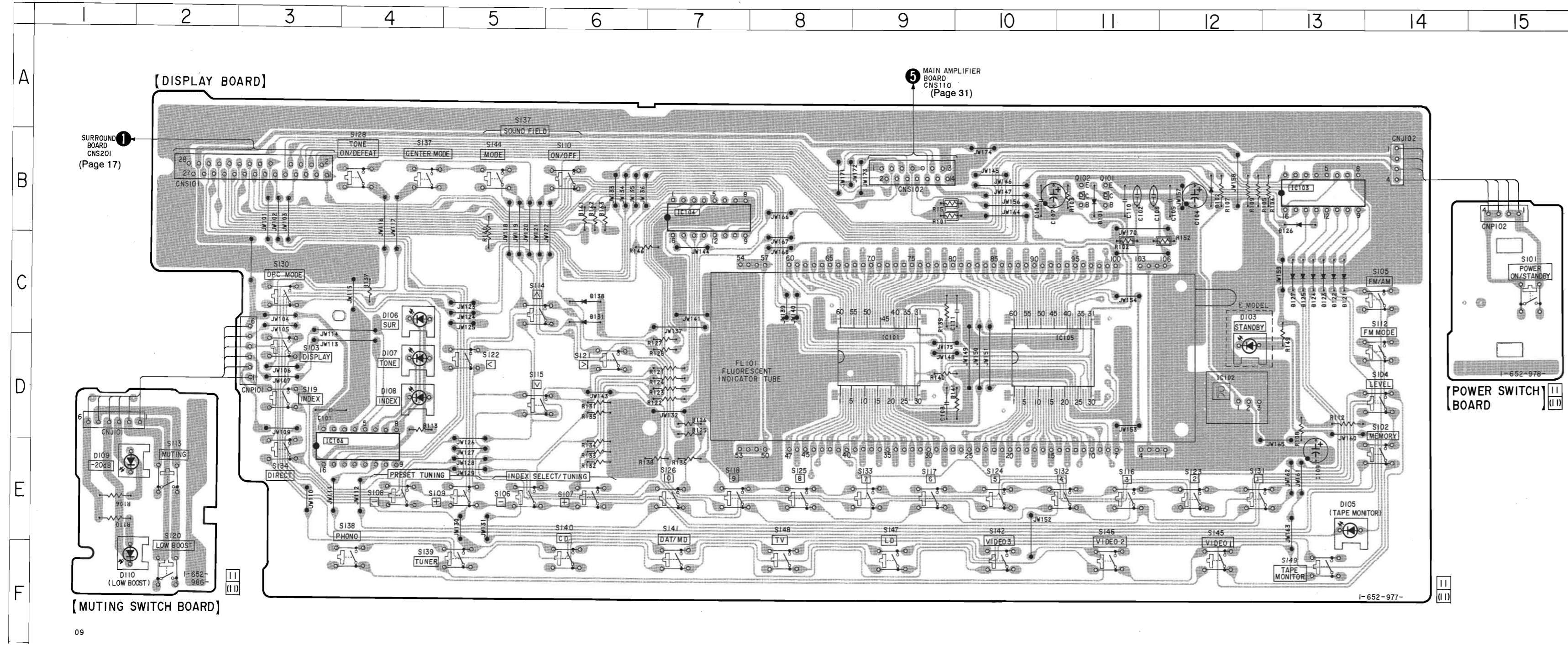
Ref. No.	Location	Ref. No.	Location
D501	I-4	IC503	J-3
D601	D-26	IC631	C-19
D641	C-26	IC851	H-17
D645	C-28	IC701	I-21
D652	J-19	IC971	H-11
D653	J-15	IC972	G-12
D680	H-23	IC973	G-11
D681	H-23		
D683	H-22	Q251	C-10
D684	H-22	Q252	D-10
D703	J-19	Q253	D-10
D704	K-22	Q254	C-11
D705	G-22	Q501	I-4
D706	H-19	Q530	G-4
D733	J-13	Q531	G-4
D754	J-14	Q551	I-4
D951	I-13	Q614	C-26
D952	J-35	Q643	C-26
D953	J-35	Q661	J-18
D954	J-34	Q662	J-15
D955	J-34	Q707	H-19
D956	J-35	Q708	J-21
D957	J-34	Q719	H-19
D958	J-33	Q721	J-23
D959	J-33	Q722	I-22
D961	J-33	Q723	I-22
D962	J-24	Q757	J-12
D966	G-29	Q758	J-14
D967	I-29	Q852	J-31
D970	C-32	Q953	J-33
D971	H-15	Q954	J-33
D974	J-22	Q955	J-32
		Q956	J-32
		Q958	J-33
IC251	D-11	Q971	J-23
IC501	I-3	Q972	H-14
IC502	C-3		

Note:
 • : parts extracted from the component side.
 • : Pattern from the side which enable seeing.
 • Abbreviation
 CND : Canadian model.

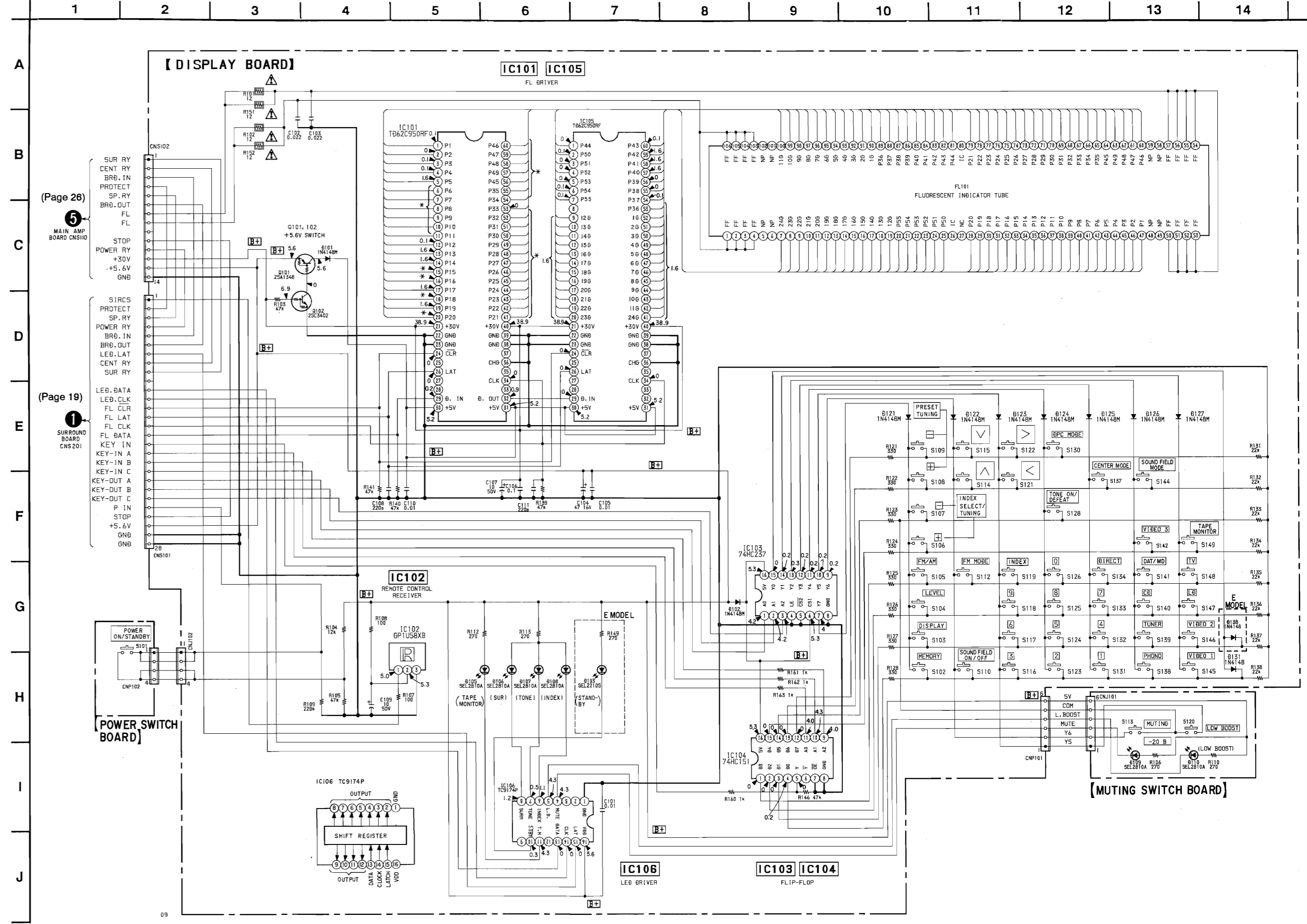
3-8. PRINTED WIRING BOARDS — DISPLAY SECTION —
 • See page 7 for Circuit Boards Location.
 • See page 9 for Semiconductor Lead Layouts.

• Semiconductor Location

Ref. No.	Location
D101	B-11
D102	B-12
D103	D-12
D105	E-13
D106	C-4
D107	D-4
D108	D-4
D109	E-1
D110	F-1
D121	C-13
D122	C-13
D123	C-13
D124	C-13
D125	C-13
D126	B-13
D127	C-13
D131	C-6
D135	C-6
D136	C-6
D138	C-6
IC101	C-9
IC102	D-12
IC103	B-13
IC104	B-7
IC105	C-11
IC106	E-3
Q101	B-11
Q102	B-11

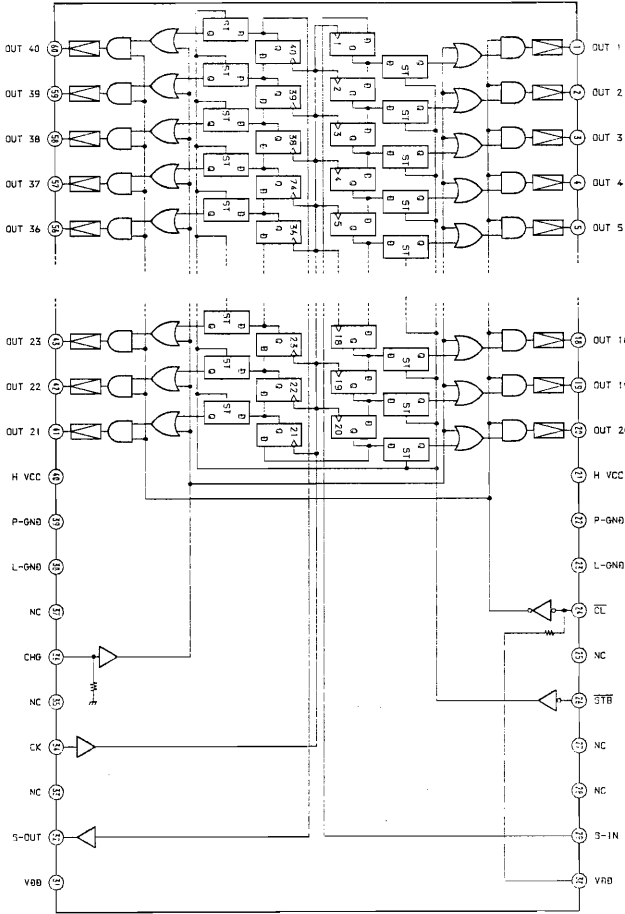


3-9. SCHEMATIC DIAGRAM — DISPLAY SECTION —
 • See page 40 for IC Pin Functions. (IC106)



• IC Block Diagrams.

IC101, 105 TD62C950RF



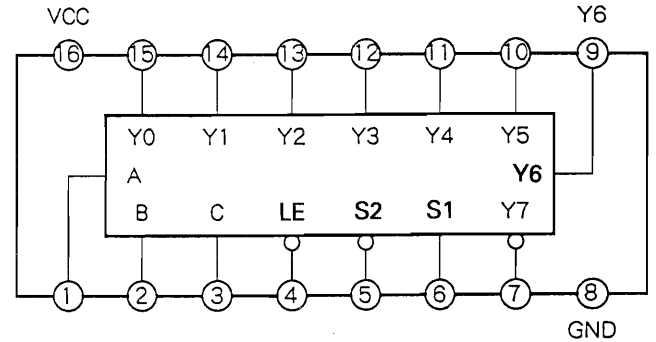
Note:

- All capacitors are in μF unless otherwise noted. $\text{pF}:\mu\text{F}$ 50VV or less are not indicated except for electrolytics and tantalums.
- All resistors are in Ω and $1/4\text{W}$ or less unless otherwise specified.
- : panel designation.

<p>Note: The components identified by mark Δ or dotted line with mark Δ are critical for safety. Replace only with part number specified.</p>	<p>Note: Les composants identifiés par une marque Δ sont critiques pour la sécurité. Ne les remplacer que par une pièce portant le numéro spécifié.</p>
--	--

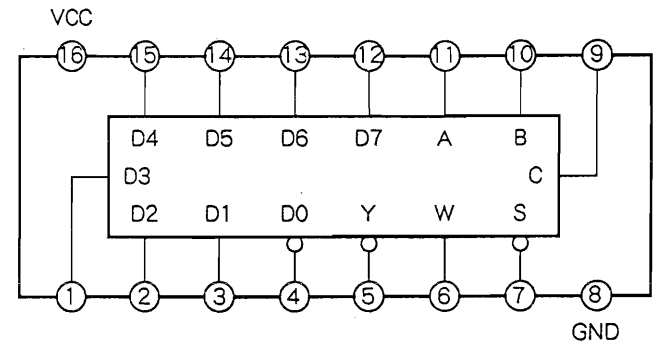
- B+: B+ Line
- Voltage and waveforms are dc with respect to ground under no-signal (detuned) conditions.
no mark : FM
- Voltages are taken with a VOM (Input impedance $10\text{M}\Omega$). Voltage variations may be noted due to normal production tolerances.
- * : can not be measured.

IC103 74HC237



INPUTS						OUTPUTS							
LE	CS1	CS2	A2	A1	A0	Y0	Y1	Y2	Y3	Y4	Y5	Y6	Y7
X	X	H	X	X	X	L	L	L	L	L	L	L	L
X	L	X	X	X	X	L	L	L	L	L	L	L	L
L	H	L	L	L	L	H	L	L	L	L	L	L	L
L	H	L	L	L	H	L	H	L	L	L	L	L	L
L	H	L	L	H	L	L	L	H	L	L	L	L	L
L	H	L	L	H	H	L	L	L	H	L	L	L	L
L	H	L	H	L	H	L	L	L	L	L	H	L	L
L	H	L	H	H	H	L	L	L	L	L	L	L	H
L	H	L	H	H	H	L	L	L	L	L	L	L	H
H	H	L	X	X	X	HOLD							

IC104 74HC151



INPUTS				OUTPUTS	
SELECT			STROBE	Y	W
C	B	A	S		
X	X	X	H	L	H
L	L	L	L	D0	$\overline{D0}$
L	L	H	L	D1	$\overline{D1}$
L	H	L	L	D2	$\overline{D2}$
L	H	H	L	D3	$\overline{D3}$
H	L	L	L	D4	$\overline{D4}$
H	L	H	L	D5	$\overline{D5}$
H	H	L	L	D6	$\overline{D6}$
H	H	H	L	D7	$\overline{D7}$

3-10. IC PIN FUNCTIONS

• IC106 (TC9174P) LED DRIVER

Pin No.	Pin Name	I/O	Function
1	GND	—	GND
2	—	—	Not used
3	—	—	Not used
4	MUTE	O	MUTING LED drive
5	L.B.	O	LOW BOOST LED drive
6	INDEX	O	INDEX LED drive
7	TONE	O	TONE LED drive
8	SURR	O	SUR LED drive
9	—	—	Not used
10	STBY	O	STANDBY LED drive (E model)
11	T.M	O	TAPE MONITOR LED drive
12	—	—	Not used
13	DATA	I	Serial data input
14	CK	I	Serial clock input
15	LAT	I	Serial latch input
16	VDD	—	+5.6V

• IC202 (μ PD75518GF-195-3B9) MAIN CONTROLLER

Pin No.	Pin Name	I/O	Function
1	P. IN	I	POWER IN
2	A/D. REF	-	REFERENCE VOLTAGE OF A/D CONVERTER (+5V)
3	+5V	-	+5V
4	+5V	-	+5V
5	-	O	OPEN
6	T. MUT	O	TUNER MUTE
7	TONE. LAT	O	TONE latch
8	-	O	OPEN
9	LOW BOOST	O	LOW BOOST ON/OFF
10	KEY-O. C	O	KEY OUT CONTROL -C
11	KEY-O. B	O	KEY OUT CONTROL -B
12	KEY-O. A	O	KEY OUT CONTROL -A
13	T-2	O	TAPE MONITOR ON/OFF
14	KEY-I. C	O	KEY IN CONTROL -C
15	KEY-I. B	O	KEY IN CONTROL -B
16	KEY-I. A	O	KEY IN CONTROL -A
17	KEY. IN	I	KEY INPUT
18	FL. DATA	O	FL DRIVER SERIAL DATA
19	FL. CK	O	FL DRIVER SERIAL CLOCK
20	-	-	GND
21	VR (+)	O	VOLUME UP control
22	VR (-)	O	VOLUME DOWN control
23	FL. LS	O	FL DRIVER LATCH
24	FL. CL	O	FL DRIVER CLEAR
25	LED CK	O	LED clock
26	LED DATA	O	LED data
27	SURR. RY	O	SURROUND RELAY drive
28	CENTER. RY	O	CENTER RELAY drive
29	LED LAT	O	LED latch
30	VOL LED	O	VOLUME LED drive
31	VIDEO-A	O	VIDEO A SELECT
32	BRIDGEABLE OUT	O	SP=8 Ω : 2CH \rightarrow "L", SURR \rightarrow "H"/SP=4 Ω : ALL "H"
33	Vss	-	GND
34	-	-	GND
35	-	-	GND
36	-	-	GND
37	BRIDGEABLE IN	I	SP4 Ω /8 Ω SELECT4 Ω = "L" 8 Ω = "H"
38	PW. RY	O	POWER RELAY drive
39	SP. RY	O	SPEAKER RELAY drive
40	S. CLK	O	SERIAL CLOCK

Pin No.	Pin Name	I/O	Function
41	S. DATA	O	SERIAL DATA
42	LAT	O	SERIAL LATCH
43	FUNC. MUT	O	FUNCTION MUTE
44	-20DB. MUT	O	-20dB MUTE
45	PROT. MUT	O	PROTECTOR MUTE (Use a things S-MUTE)
46	STEREO. IN	I	TUNER STEREO SIGNAL INPUT
47	PROT. IN	I	PROTECTOR INPUT
48	GND	-	GND
49	REMO. MA	I	REMOTE CONTROL INPUT
50	ADJ. LAT	I	AUTO MEASUREMENT LATCH
51	A. STOP	I	TUNER AUTO STOP
52	D. IN	I	IF COUNT DATA INPUT
53	STOP	I	STOP DETECT
54	V _{ss}	-	GND
55	XT1	-	GND
56	-	-	OPEN
57	IC	-	GND
58	OSC	-	CRYSTAL OSCILLATOR 6MHz
59	OSC	-	CRYSTAL OSCILLATOR 6MHz
60	RESET	I	RESET INPUT
61	SURR CLOCK	O	Serial clock for surround IC (LV1010N, LA2785)
62	SURR DATA	O	Serial data for surround IC (LV1010N, LA2785)
63	SURR LAT	O	Serial latch for surround IC (LV1010N, LA2785)
64	INH	O	Inhibit output for VIDEO MONITOR OUT
65	-	I	GND
66	-	I	GND
67	-	I	GND
68	-	I	GND
69	-	I	GND
70	-	I	GND
71	-	I	GND
72	-	I	GND
73	AV _{ss}	-	GND
74	-	I	GND
75	-	I	GND
76	-	I	GND
77	-	I	GND
78	-	I	GND
79	-	I	GND
80	-	I	GND

SECTION 4 EXPLODED VIEWS

NOTE:

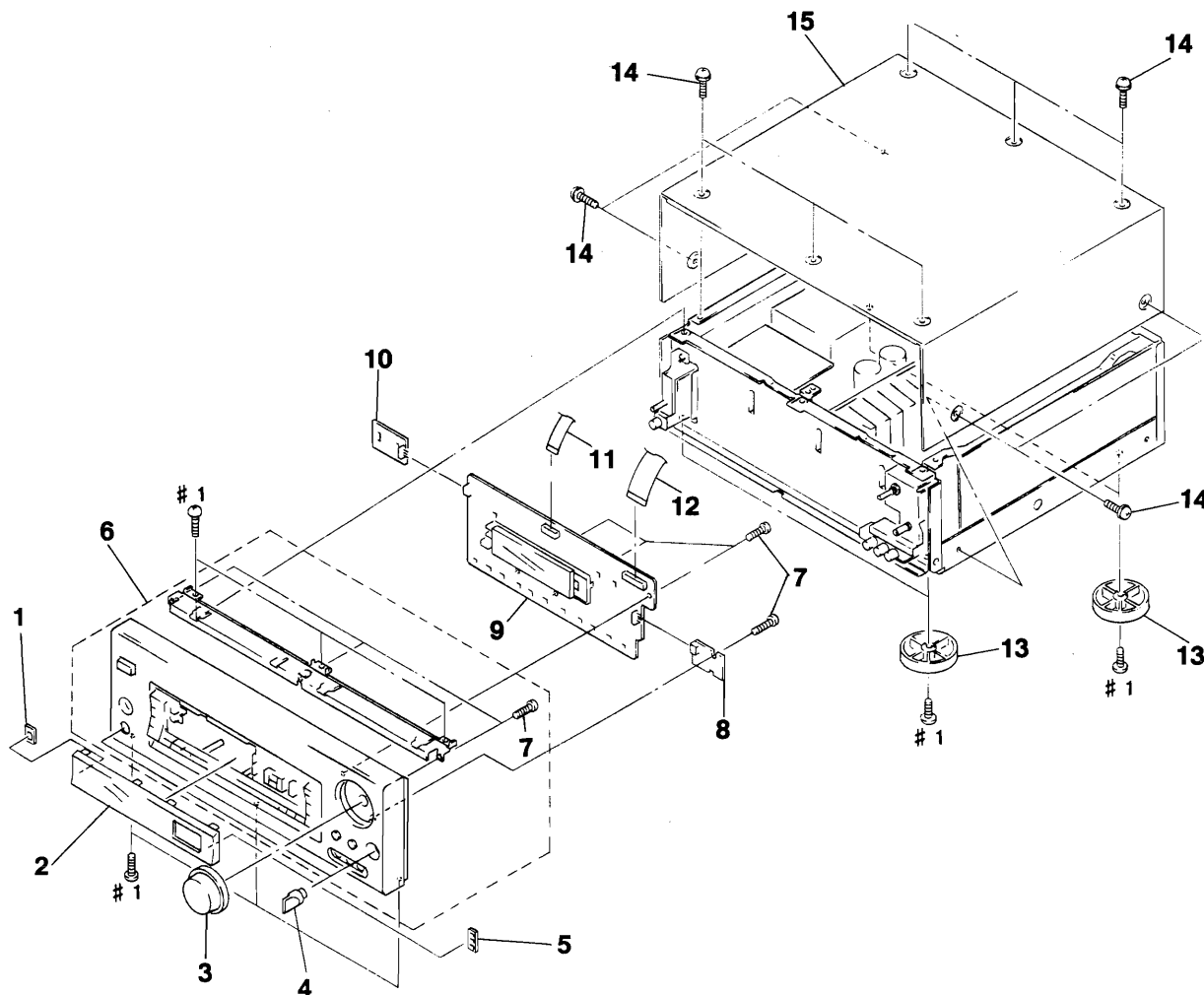
- Items marked “ * ” are not stocked since they are seldom required for routine service. Some delay should be anticipated when ordering these items.
- -XX, -X mean standardized parts, so they may have some difference from the original one.
- The mechanical parts with no reference number in the exploded views are not supplied.

- Hardware (# mark) list and accessories and packing materials are given in the last of this parts list.
- Abbreviation
CND : Canadian model

The components identified by mark \triangle or dotted line with mark \triangle are critical for safety.
Replace only with part number specified.

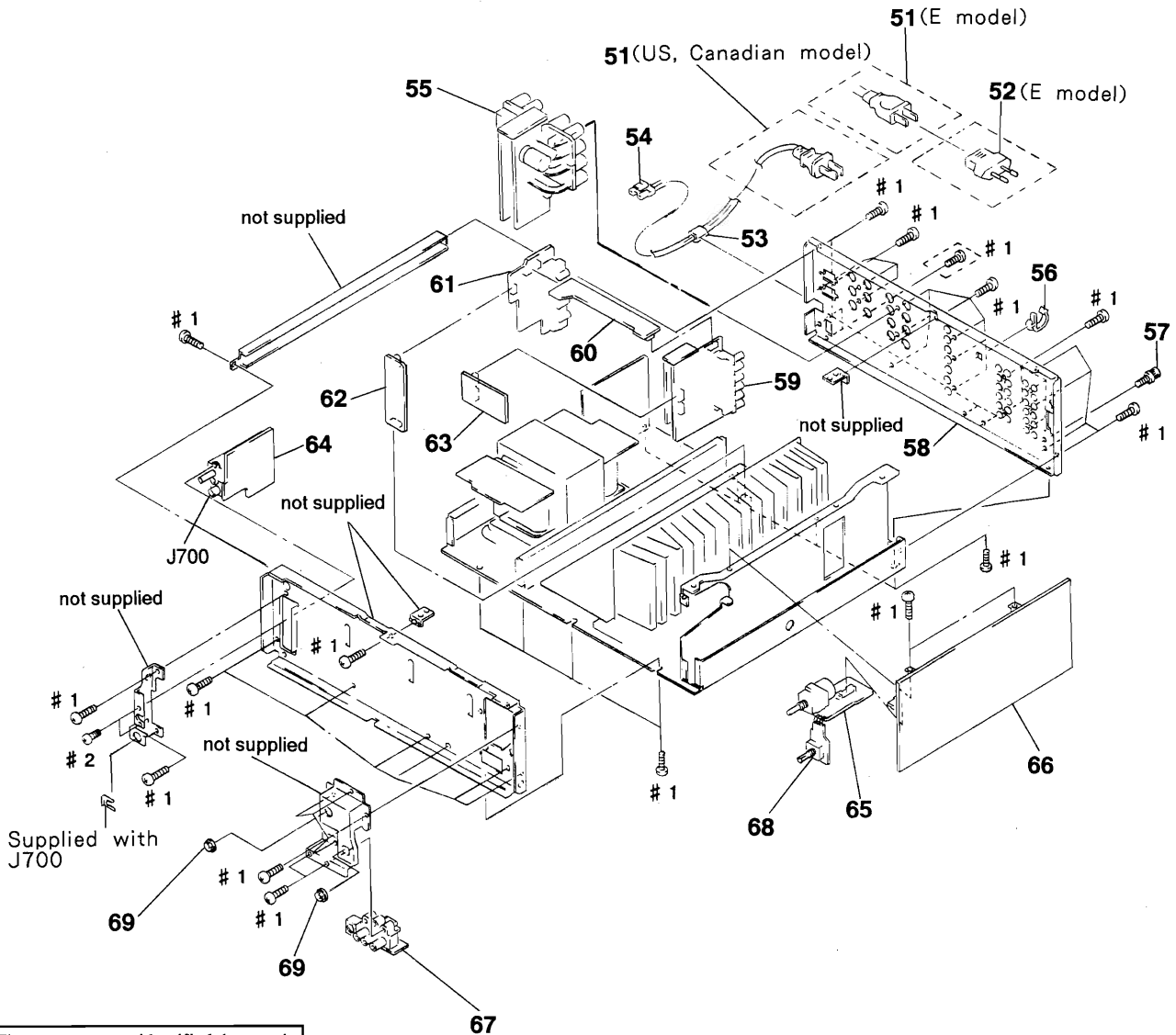
Les composants identifiés par une marque \triangle sont critiques pour la sécurité.
Ne les remplacer que par une pièce portant le numéro spécifié.

4-1. FRONT PANEL SECTION



Ref. No.	Part No.	Description	Remark	Ref. No.	Part No.	Description	Remark
1	4-968-469-11	ILLUMINATOR (ST) (E)		* 9	A-4371-301-A	DISPLAY BOARD, COMPLETE (US, CND)	
2	4-965-948-01	PLATE (B), INDICATION (US, CND)		* 9	A-4371-302-A	DISPLAY BOARD, COMPLETE (E)	
2	4-965-948-11	PLATE (B), INDICATION (E)		* 10	1-652-978-11	POWER SWITCH BOARD	
3	X-4942-296-1	KNOB ASSY		11	1-765-300-11	WIRE (FLAT TYPE) (13 CORE)	
4	4-908-097-21	KNOB		12	1-765-308-11	WIRE (FLAT TYPE) (27 CORE)	
5	4-967-925-11	ILLUMINATOR (DPC)		13	X-4942-706-1	FOOT (58175) ASSY	
6	X-4944-987-1	PANEL ASSY, FRONT		14	3-704-366-01	SCREW (CASE) (M3X8)	
7	4-951-620-01	SCREW (2.6X8), +BVTP		15	4-966-116-01	CASE	
* 8	1-652-986-11	MUTING SWITCH BOARD					

4-2. BACK PANEL SECTION

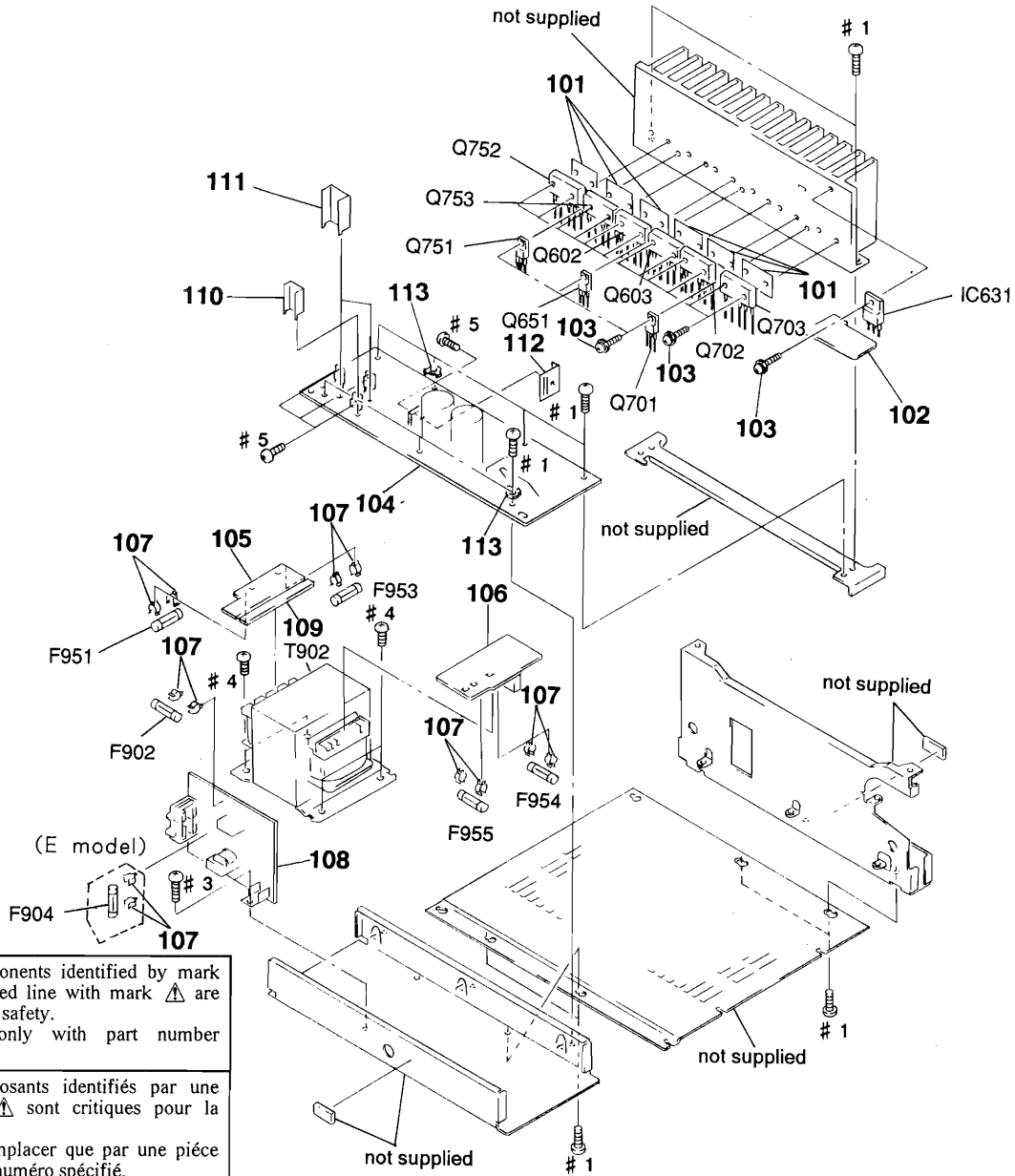


The components identified by mark ▲ or dotted line with mark ▲ are critical for safety. Replace only with part number specified.

Les composants identifiés par une marque ▲ sont critiques pour la sécurité. Ne les remplacer que par une pièce portant le numéro spécifié.

Ref. No.	Part No.	Description	Remark	Ref. No.	Part No.	Description	Remark
▲51	1-575-975-11	CORD, POWER (US, CND)		* 60	1-652-984-11	INPUT JOINT BOARD	
▲51	1-590-074-11	CORD, POWER (E)		* 61	1-652-992-11	VIDEO BOARD	
▲52	1-569-007-11	ADAPTER, CONVERSION 2P (E)		* 62	1-653-514-11	DC JOINT BOARD	
* 53	3-703-244-00	BUSHING (2104), CORD		* 63	1-652-985-11	SURROUND JOINT BOARD	
▲54	1-769-077-31	LEAD (WITH CONNECTOR) (2 CORE) (US, CND)		* 64	1-652-980-11	SPEAKER SELECTOR BOARD	
* 55	A-4371-336-A	SP. TERMINAL BOARD, COMPLETE		* 65	1-652-982-11	VOLUME BOARD	
* 56	4-949-235-01	HOOK		* 66	A-4371-330-A	SURROUND BOARD, COMPLETE (US, CND)	
57	4-947-010-01	SCREW, FEEDER FIXED		* 66	A-4371-331-A	SURROUND BOARD, COMPLETE (E)	
* 58	4-966-945-01	PANEL, BACK (US)		* 67	1-652-981-11	VIDEO-3 BOARD	
* 58	4-966-945-11	PANEL, BACK (CND)		* 68	1-652-983-11	BALANCE VOLUME BOARD	
* 58	4-966-945-21	PANEL, BACK (E)		69	3-575-039-00	NUT CONTROL	
* 59	A-4371-324-A	AUDIO INPUT BOARD, COMPLETE					

4-3. POWER TRANSFORMER SECTION



The components identified by mark \triangle or dotted line with mark \triangle are critical for safety. Replace only with part number specified.

Les composants identifiés par une marque \triangle sont critiques pour la sécurité. Ne les remplacer que par une pièce portant le numéro spécifié.

Ref. No.	Part No.	Description	Remark	Ref. No.	Part No.	Description	Remark
	101	4-885-901-31 SHEET, RADIATION		\triangle F951	1-576-109-11 FUSE (5A 125V) (US, CND)		
*	102	1-653-001-11 REAR AMPLIFIER (S) BOARD		\triangle F953	1-532-299-00 TIME LAG FUSE (T5AL 250V) (E)		
	103	3-905-609-01 SCREW (TRANSISTOR)		\triangle F953	1-576-109-11 FUSE (5A 125V) (US, CND)		
*	104	A-4371-333-A MAIN AMPLIFIER BOARD, COMPLETE (US, E)		\triangle F954	1-532-506-51 TIME LAG FUSE (T6.3AL 250V) (E)		
*	104	A-4371-334-A MAIN AMPLIFIER BOARD, COMPLETE (CND)		\triangle F954	1-532-749-11 FUSE, GLASS TUBE (8A 125V) (US, CND)		
*	105	1-652-999-11 TRANSFORMER TERMINAL (1-2) BOARD		\triangle F955	1-532-506-51 TIME LAG FUSE (T6.3AL 250V) (E)		
*	106	1-653-000-11 TRANSFORMER TERMINAL (2) BOARD		\triangle F955	1-532-749-11 FUSE, GLASS TUBE (8A 125V) (US, CND)		
	107	1-533-293-11 FUSE HOLDER		Q602	8-749-010-43 IC NE-N250		
*	108	A-4371-310-A POWER SUPPLY BOARD, COMPLETE (US, CND)		Q603	8-749-010-42 IC NE-P250		
*	108	A-4371-328-A POWER SUPPLY BOARD, COMPLETE (E)		Q651	8-729-026-08 TRANSISTOR 2SC4495		
*	109	1-652-998-11 TRANSFORMER TERMINAL (1-1) BOARD (US, CND)		Q701	8-729-026-08 TRANSISTOR 2SC4495		
*	110	3-309-144-21 HEAT SINK		Q702	8-749-010-43 IC NE-N250		
*	111	4-964-290-01 HEAT SINK		Q703	8-749-010-42 IC NE-P250		
*	112	4-931-903-01 HEAT SINK (DI)		Q751	8-729-026-08 TRANSISTOR 2SC4495		
*	113	4-942-204-01 PLATE, GROUND		Q752	8-749-010-43 IC NE-N250		
	IC631	8-759-502-33 IC SI-18752		Q753	8-749-010-42 IC NE-P250		
\triangle	F902	1-532-350-00 TIME LAG FUSE (T4AL 250V) (E)		\triangle T902	1-426-880-11 TRANSFORMER, POWER (US)		
\triangle	F904	1-532-350-00 TIME LAG FUSE (T4AL 250V) (E)		\triangle T902	1-426-881-11 TRANSFORMER, POWER (CND)		
\triangle	F951	1-532-299-00 TIME LAG FUSE (T5AL 250V) (E)		\triangle T902	1-426-882-11 TRANSFORMER, POWER (E)		

SECTION 5

AUDIO INPUT

ELECTRICAL PARTS LIST

NOTE:

The components identified by mark Δ or dotted line with mark Δ are critical for safety.
Replace only with part number specified.

Les composants identifiés par une marque Δ sont critiques pour la sécurité.
Ne les remplacer que par une pièce portant le numéro spécifié.

When indicating parts by reference number, please include the board name.

- Due to standardization, replacements in the parts list may be different from the parts specified in the diagrams or the components used on the set.
- Items marked "*" are not stocked since they are seldom required for routine service. Some delay should be anticipated when ordering these items.
- -XX, -X mean standardized parts, so they may have some difference from the original one.
- Hardware (# mark) list and accessories and packing materials are given in the last of this parts list.

- RESISTORS
All resistors are in ohms
METAL: Metal-film resistor
METAL OXIDE: Metal Oxide-film resistor
F : nonflammable
- SEMICONDUCTORS
In each case, u: μ , for example:
uA...: μ A..., uPA...: μ PA..., uPB...: μ PB...,
uPC...: μ PC..., uPD...: μ PD...
- CAPACITORS
uF : μ F
- COILS
uH : μ H
- Abbreviation
CND : Canadian model

Ref. No.	Part No.	Description	Remark	Ref. No.	Part No.	Description	Remark
*	A-4371-324-A	AUDIO INPUT BOARD, COMPLETE ***** (INCLUDING AUDIO (A) BOARD, AUDIO JOINT BOARD, AUDIO (V) BOARD)				< JACK >	
		< CAPACITOR >		J501	1-766-396-11	JACK, PIN 4P (CD/PHONO IN)	
C501	1-162-282-31	CERAMIC	100PF 10% 50V	J502	1-750-150-11	JACK, PIN 4P (DAT/MD IN/OUT)	
C502	1-124-927-11	ELECT	4.7uF 20% 100V	J503	1-750-150-11	JACK, PIN 4P (TAPE IN/OUT)	
C503	1-162-282-31	CERAMIC	100PF 10% 50V	J504	1-580-825-11	JACK, PIN 6P (VIDEO 1 IN/OUT, VIDEO 2 OUT-AUDIO)	
C504	1-124-477-11	ELECT	47uF 20% 25V	J505	1-580-825-11	JACK, PIN 6P (VIDEO 2/LD/TV IN-AUDIO)	
C505	1-130-480-00	MYLAR	0.0056uF 5% 50V			< TRANSISTOR >	
C506	1-130-473-00	MYLAR	0.0015uF 5% 50V	Q501	8-729-141-30	TRANSISTOR 2SC3623A-LK	
C507	1-124-907-11	ELECT	10uF 20% 50V	Q530	8-729-900-36	TRANSISTOR DTC124ES	
C508	1-124-477-11	ELECT	47uF 20% 25V	Q531	8-729-900-63	TRANSISTOR DTA124ES	
C509	1-124-477-11	ELECT	47uF 20% 25V	Q551	8-729-141-30	TRANSISTOR 2SC3623A-LK	
C530	1-136-746-11	MYLAR	1uF 20% 100V			< RESISTOR >	
C531	1-162-294-31	CERAMIC	0.001uF 10% 50V	R501	1-249-417-11	CARBON 1K 5% 1/4W F	
C533	1-162-294-31	CERAMIC	0.001uF 10% 50V	R502	1-249-441-11	CARBON 100K 5% 1/4W	
C540	1-124-907-11	ELECT	10uF 20% 50V	R503	1-249-441-11	CARBON 100K 5% 1/4W	
C551	1-162-282-31	CERAMIC	100PF 10% 50V	R504	1-249-416-11	CARBON 820 5% 1/4W F	
C552	1-124-927-11	ELECT	4.7uF 20% 100V	R505	1-247-897-11	CARBON 560K 5% 1/4W	
C553	1-162-282-31	CERAMIC	100PF 10% 50V	R506	1-249-437-11	CARBON 47K 5% 1/4W	
C554	1-124-477-11	ELECT	47uF 20% 25V	R507	1-249-441-11	CARBON 100K 5% 1/4W	
C555	1-130-480-00	MYLAR	0.0056uF 5% 50V	R508	1-249-409-11	CARBON 220 5% 1/4W F	
C556	1-130-473-00	MYLAR	0.0015uF 5% 50V	R509	1-249-421-11	CARBON 2.2K 5% 1/4W F	
C557	1-124-907-11	ELECT	10uF 20% 50V	R510	1-249-429-11	CARBON 10K 5% 1/4W	
		< CONNECTOR >		R511	1-249-417-11	CARBON 1K 5% 1/4W F	
* CNP502	1-564-518-11	PLUG, CONNECTOR 3P		R512	1-249-417-11	CARBON 1K 5% 1/4W F	
CNS501	1-695-092-11	SOCKET, CONNECTOR 7P		R514	1-249-417-11	CARBON 1K 5% 1/4W F	
CNS503	1-695-093-11	SOCKET, CONNECTOR 9P		R515	1-249-417-11	CARBON 1K 5% 1/4W F	
CNS504	1-695-093-11	SOCKET, CONNECTOR 9P		R516	1-249-417-11	CARBON 1K 5% 1/4W F	
		< DIODE >		R517	1-249-417-11	CARBON 1K 5% 1/4W F	
D501	8-719-987-63	DIODE 1N4148M		R519	1-249-417-11	CARBON 1K 5% 1/4W F	
		< IC >		R520	1-249-417-11	CARBON 1K 5% 1/4W F	
IC501	8-759-805-14	IC LC7822		R521	1-249-417-11	CARBON 1K 5% 1/4W F	
IC502	8-759-805-14	IC LC7822		R522	1-249-417-11	CARBON 1K 5% 1/4W F	
IC503	8-759-634-50	IC M5218AL		R530	1-249-425-11	CARBON 4.7K 5% 1/4W F	
				R531	1-249-441-11	CARBON 100K 5% 1/4W	
				R532	1-249-425-11	CARBON 4.7K 5% 1/4W F	
				R535	1-249-421-11	CARBON 2.2K 5% 1/4W F	
				R536	1-249-429-11	CARBON 10K 5% 1/4W	
				R551	1-249-417-11	CARBON 1K 5% 1/4W F	
				R552	1-249-441-11	CARBON 100K 5% 1/4W	

AUDIO INPUT

BALANCE VOLUME

DC JOINT

DISPLAY

Ref. No.	Part No.	Description	Remark	Ref. No.	Part No.	Description	Remark
R553	1-249-441-11	CARBON	100K 5% 1/4W	C103	1-164-097-11	CERAMIC	0.022uF 50V
R554	1-249-416-11	CARBON	820 5% 1/4W F	C104	1-124-477-11	ELECT	47uF 20% 25V
R555	1-247-897-11	CARBON	560K 5% 1/4W	C105	1-161-379-00	CERAMIC	0.01uF 20% 25V
R556	1-249-437-11	CARBON	47K 5% 1/4W	C106	1-164-159-11	CERAMIC	0.1uF 50V
R557	1-249-441-11	CARBON	100K 5% 1/4W	C107	1-124-907-11	ELECT	10uF 20% 50V
R558	1-249-409-11	CARBON	220 5% 1/4W F	C108	1-162-286-31	CERAMIC	220PF 10% 50V
R559	1-249-421-11	CARBON	2.2K 5% 1/4W F	C109	1-126-157-11	ELECT	10uF 20% 16V
R560	1-249-429-11	CARBON	10K 5% 1/4W	C110	1-161-379-00	CERAMIC	0.01uF 20% 25V
R561	1-249-417-11	CARBON	1K 5% 1/4W F	C111	1-162-286-31	CERAMIC	220PF 10% 50V
R562	1-249-417-11	CARBON	1K 5% 1/4W F			< CONNECTOR >	
R564	1-249-417-11	CARBON	1K 5% 1/4W F	* CNJ102	1-565-480-11	CONNECTOR, BOARD TO BOARD	4P
R565	1-249-417-11	CARBON	1K 5% 1/4W F	* CNP101	1-569-798-11	PLUG, CONNECTOR	6P
R566	1-249-417-11	CARBON	1K 5% 1/4W F	* CNP102	1-565-295-11	PLUG, CONNECTOR	4P
R567	1-249-417-11	CARBON	1K 5% 1/4W F	CNS101	1-766-040-11	CONNECTOR, FFC (LIF (NON-ZIF))	27P
R569	1-249-417-11	CARBON	1K 5% 1/4W F	CNS102	1-766-026-11	CONNECTOR, FFC (LIF (NON-ZIF))	13P
R570	1-249-417-11	CARBON	1K 5% 1/4W F			< DIODE >	
R571	1-249-417-11	CARBON	1K 5% 1/4W F	D101	8-719-987-63	DIODE	1N4148M
R572	1-249-417-11	CARBON	1K 5% 1/4W F	D102	8-719-987-63	DIODE	1N4148M
R581	1-249-441-11	CARBON	100K 5% 1/4W	D103	8-719-313-43	LED	SEL2210S-TH10 (STANDBY) (E)
R598	1-249-437-11	CARBON	47K 5% 1/4W	D105	8-719-301-49	LED	SEL2810A (TAPE MONITOR)
		< RELAY >		D106	8-719-301-49	LED	SEL2810A (SUR)
RY501	1-515-614-11	RELAY		D107	8-719-301-49	LED	SEL2810A (TONE)
*****				D108	8-719-301-49	LED	SEL2810A (INDEX)
*	1-652-983-11	BALANCE VOLUME BOARD		D121	8-719-987-63	DIODE	1N4148M
		*****		D122	8-719-987-63	DIODE	1N4148M
		< VARIABLE RESISTOR >		D123	8-719-987-63	DIODE	1N4148M
RV502	1-238-965-21	RES, VAR, CARBON 100K/100K (BALANCE)		D124	8-719-987-63	DIODE	1N4148M
*****				D125	8-719-987-63	DIODE	1N4148M
*	1-653-514-11	DC JOINT BOARD		D126	8-719-987-63	DIODE	1N4148M
		*****		D127	8-719-987-63	DIODE	1N4148M
		< CONNECTOR >		D131	8-719-987-63	DIODE	1N4148M
CNP251	1-750-180-11	PIN, CONNECTOR (PC BOARD) 5P		D138	8-719-987-63	DIODE	1N4148M (E)
CNS954	1-750-179-11	SOCKET, CONNECTOR 5P				< FLUORESCENT INDICATOR >	
*****				FL101	1-517-305-11	INDICATOR TUBE, FLUORESCENT	
*	A-4371-301-A	DISPLAY BOARD, COMPLETE (US, CND)				< IC >	
		*****		IC101	8-759-075-35	IC	TD62C950RF
*	A-4371-302-A	DISPLAY BOARD, COMPLETE (E)		IC102	8-749-923-11	IC	GPIU58XB
		*****		IC103	8-759-282-30	IC	PC74HC237
		< CAPACITOR >		IC104	8-759-282-06	IC	PC74HC151
C101	1-161-379-00	CERAMIC	0.01uF 20% 25V	IC105	8-759-075-35	IC	TD62C950RF
C102	1-164-097-11	CERAMIC	0.022uF 50V	IC106	8-759-202-07	IC	TC9174P
						< TRANSISTOR >	
				Q101	8-729-900-61	TRANSISTOR	DTA114ES
				Q102	8-729-900-80	TRANSISTOR	DTC114ES

DISPLAY

INPUT JOINT

MAIN AMPLIFIER

Ref. No.	Part No.	Description	Remark	Ref. No.	Part No.	Description	Remark
< RESISTOR >							
△R101	1-249-394-11	CARBON	12 5% 1/4W F	S114	1-554-303-21	SWITCH, TACTILE (^)	
△R102	1-249-394-11	CARBON	12 5% 1/4W F	S115	1-554-303-21	SWITCH, TACTILE (v)	
R103	1-249-437-11	CARBON	47K 5% 1/4W	S116	1-554-303-21	SWITCH, TACTILE (3)	
R104	1-249-430-11	CARBON	12K 5% 1/4W	S117	1-554-303-21	SWITCH, TACTILE (6)	
R105	1-249-437-11	CARBON	47K 5% 1/4W	S118	1-554-303-21	SWITCH, TACTILE (9)	
R107	1-247-807-31	CARBON	100 5% 1/4W	S119	1-554-303-21	SWITCH, TACTILE (INDEX)	
R108	1-247-807-31	CARBON	100 5% 1/4W	S121	1-554-303-21	SWITCH, TACTILE (>)	
R109	1-247-887-00	CARBON	220K 5% 1/4W	S122	1-554-303-21	SWITCH, TACTILE (<)	
R112	1-249-410-11	CARBON	270 5% 1/4W F	S123	1-554-303-21	SWITCH, TACTILE (2)	
R113	1-249-410-11	CARBON	270 5% 1/4W F	S124	1-554-303-21	SWITCH, TACTILE (5)	
R121	1-249-411-11	CARBON	330 5% 1/4W	S125	1-554-303-21	SWITCH, TACTILE (8)	
R122	1-249-411-11	CARBON	330 5% 1/4W	S126	1-554-303-21	SWITCH, TACTILE (0)	
R123	1-249-411-11	CARBON	330 5% 1/4W	S128	1-554-303-21	SWITCH, TACTILE (TONE ON/DEFEAT)	
R124	1-249-411-11	CARBON	330 5% 1/4W	S130	1-554-303-21	SWITCH, TACTILE (DPC MODE)	
R125	1-249-411-11	CARBON	330 5% 1/4W	S131	1-554-303-21	SWITCH, TACTILE (1)	
R126	1-249-411-11	CARBON	330 5% 1/4W	S132	1-554-303-21	SWITCH, TACTILE (4)	
R127	1-249-411-11	CARBON	330 5% 1/4W	S133	1-554-303-21	SWITCH, TACTILE (7)	
R128	1-249-411-11	CARBON	330 5% 1/4W	S134	1-554-303-21	SWITCH, TACTILE (DIRECT)	
R131	1-249-433-11	CARBON	22K 5% 1/4W	S137	1-554-303-21	SWITCH, TACTILE (CENTER MODE)	
R132	1-249-433-11	CARBON	22K 5% 1/4W	S138	1-554-303-21	SWITCH, TACTILE (PHONO)	
R133	1-249-433-11	CARBON	22K 5% 1/4W	S139	1-554-303-21	SWITCH, TACTILE (TUNER)	
R134	1-249-433-11	CARBON	22K 5% 1/4W	S140	1-554-303-21	SWITCH, TACTILE (CD)	
R135	1-249-433-11	CARBON	22K 5% 1/4W	S141	1-554-303-21	SWITCH, TACTILE (DAT/MD)	
R136	1-249-433-11	CARBON	22K 5% 1/4W	S142	1-554-303-21	SWITCH, TACTILE (VIDEO 3)	
R137	1-249-433-11	CARBON	22K 5% 1/4W	S144	1-554-303-21	SWITCH, TACTILE (SOUND FIELD MODE)	
R138	1-249-433-11	CARBON	22K 5% 1/4W	S145	1-554-303-21	SWITCH, TACTILE (VIDEO 1)	
R139	1-249-437-11	CARBON	47K 5% 1/4W	S146	1-554-303-21	SWITCH, TACTILE (VIDEO 2)	
R140	1-249-437-11	CARBON	47K 5% 1/4W	S147	1-554-303-21	SWITCH, TACTILE (LD)	
R141	1-249-437-11	CARBON	47K 5% 1/4W	S148	1-554-303-21	SWITCH, TACTILE (TV)	
R146	1-249-437-11	CARBON	47K 5% 1/4W	S149	1-554-303-21	SWITCH, TACTILE (TAPE MONITOR)	
R149	1-249-410-11	CARBON	270 5% 1/4W F (E)	*****			
△R151	1-249-394-11	CARBON	12 5% 1/4W F	*	1-652-984-11	INPUT JOINT BOARD	
△R152	1-249-394-11	CARBON	12 5% 1/4W F			*****	
R160	1-249-417-11	CARBON	1K 5% 1/4W F	< CONNECTOR >			
R161	1-249-417-11	CARBON	1K 5% 1/4W F	*	CNP232	1-564-518-11	PLUG, CONNECTOR 3P
R162	1-249-417-11	CARBON	1K 5% 1/4W F		CNP521	1-695-087-11	PIN, CONNECTOR (PC BOARD) 7P
R163	1-249-417-11	CARBON	1K 5% 1/4W F		CNS241	1-695-094-11	SOCKET, CONNECTOR 11P
< SWITCH >				*****			
S102	1-554-303-21	SWITCH, TACTILE (MEMORY)		*	A-4371-333-A	MAIN AMPLIFIER BOARD, COMPLETE (US, E)	
S103	1-554-303-21	SWITCH, TACTILE (DISPLAY)				*****	
S104	1-554-303-21	SWITCH, TACTILE (LEVEL)		*	A-4371-334-A	MAIN AMPLIFIER BOARD, COMPLETE (CND)	
S105	1-554-303-21	SWITCH, TACTILE (FM/AM)				*****	
S106	1-554-303-21	SWITCH, TACTILE (INDEX SELECT/TUNING -)		*	3-309-144-21	HEAT SINK	
S107	1-554-303-21	SWITCH, TACTILE (INDEX SELECT/TUNING +)		*	4-880-403-11	HEAT SINK	
S108	1-554-303-21	SWITCH, TACTILE (PRESET TUNING -)		*	4-931-903-01	HEAT SINK (DI)	
S109	1-554-303-21	SWITCH, TACTILE (PRESET TUNING +)		*	4-942-204-01	PLATE, GROUND	
S110	1-554-303-21	SWITCH, TACTILE (SOUND FIELD ON/OFF)		*	4-969-002-01	SPACER (DIA. 29)	
S112	1-554-303-21	SWITCH, TACTILE (FM MODE)					

<p>The components identified by mark Δ or dotted line with mark Δ are critical for safety. Replace only with part number specified.</p>	<p>Les composants identifiés par une marque Δ sont critiques pour la sécurité. Ne les remplacer que par une pièce portant le numéro spécifié.</p>
---	---

MAIN AMPLIFIER

Ref.No.	Part No.	Description	Remark	Ref.No.	Part No.	Description	Remark
	7-682-548-04	SCREW +BVTT 3X8 (S)					
		< CAPACITOR >					
C651	1-124-927-11	ELECT	4.7uF 20% 100V	C981	1-124-907-11	ELECT	10uF 20% 50V
C652	1-164-079-11	CERAMIC	330PF 10% 50V	C982	1-124-907-11	ELECT	10uF 20% 50V
C653	1-102-989-00	CERAMIC	68PF 5% 500V	C988	1-106-220-00	MYLAR	0.1uF 5% 100V
C654	1-102-989-00	CERAMIC	68PF 5% 500V				
C656	1-124-443-00	ELECT	100uF 20% 10V	C989	1-106-220-00	MYLAR	0.1uF 5% 100V
				C990	1-124-910-11	ELECT	47uF 20% 50V
				C991	1-124-910-11	ELECT	47uF 20% 50V
						< CONNECTOR >	
C657	1-164-040-11	CERAMIC	4PF 0.25PF 50V	CNP601	1-564-320-00	PIN, CONNECTOR (B2P-VH) 2P	
C658	1-124-910-11	ELECT	47uF 20% 50V	CNP603	1-691-770-11	PLUG (MICRO CONNECTOR) 8P	
C659	1-161-959-00	CERAMIC	22PF 10% 500V	CNP613	1-691-765-21	PLUG (MICRO CONNECTOR) 3P	
C660	1-161-959-00	CERAMIC	22PF 10% 500V	CNP701	1-691-767-11	PLUG (MICRO CONNECTOR) 5P	
C665	1-161-959-00	CERAMIC	22PF 10% 500V	* CNP702	1-564-242-00	PIN, CONNECTOR 5P	
C666	1-161-959-00	CERAMIC	22PF 10% 500V	CNP910	1-691-768-11	PLUG (MICRO CONNECTOR) 6P	
C701	1-124-927-11	ELECT	4.7uF 20% 100V	* CNP951	1-564-242-00	PIN, CONNECTOR 5P	
C702	1-164-079-11	CERAMIC	330PF 10% 50V	CNP954	1-750-180-11	PIN, CONNECTOR (PC BOARD) 5P	
C703	1-102-989-00	CERAMIC	68PF 5% 500V	CNS110	1-764-918-11	CONNECTOR, FFC (LIF (NON-ZIF)) 13P	
C704	1-161-959-00	CERAMIC	22PF 10% 500V			< DIODE >	
C705	1-124-929-11	ELECT	22uF 20% 100V	D652	8-719-815-85	DIODE 1S1585	
C706	1-124-443-00	ELECT	100uF 20% 10V	D653	8-719-815-85	DIODE 1S1585	
C707	1-164-040-11	CERAMIC	4PF 0.25PF 50V	D680	8-719-987-63	DIODE 1N4148M	
C708	1-124-910-11	ELECT	47uF 20% 50V	D681	8-719-987-63	DIODE 1N4148M	
C709	1-161-959-00	CERAMIC	22PF 10% 500V	D683	8-719-987-63	DIODE 1N4148M	
C710	1-161-959-00	CERAMIC	22PF 10% 500V	D684	8-719-987-63	DIODE 1N4148M	
C713	1-130-487-00	MYLAR	0.022uF 5% 50V	D703	8-719-815-85	DIODE 1S1585	
C715	1-161-959-00	CERAMIC	22PF 10% 500V	D704	8-719-815-85	DIODE 1S1585	
C716	1-161-959-00	CERAMIC	22PF 10% 500V	D705	8-719-987-63	DIODE 1N4148M	
C721	1-136-169-00	FILM	0.22uF 5% 50V	D706	8-719-987-63	DIODE 1N4148M	
C722	1-124-471-00	ELECT	1000uF 20% 6.3V	D753	8-719-815-85	DIODE 1S1585	
C739	1-124-929-11	ELECT	22uF 20% 100V	D754	8-719-815-85	DIODE 1S1585	
C740	1-124-929-11	ELECT	22uF 20% 100V	D971	8-719-302-38	DIODE RBV-602-01	
C751	1-124-927-11	ELECT	4.7uF 20% 100V	D974	8-719-002-76	DIODE UZL-36H	
C752	1-164-079-11	CERAMIC	330PF 10% 50V			< IC >	
C753	1-102-989-00	CERAMIC	68PF 5% 500V	IC651	8-749-010-16	IC STK350-130A	
C754	1-161-959-00	CERAMIC	22PF 10% 500V	IC701	8-749-921-85	IC STK-3122-3	
C755	1-124-929-11	ELECT	22uF 20% 100V	IC971	8-759-263-43	IC TA78M12S	
C756	1-124-443-00	ELECT	100uF 20% 10V	IC972	8-759-604-45	IC M5F79M12L	
C757	1-164-040-11	CERAMIC	4PF 0.25PF 50V	IC973	8-759-604-35	IC M5F78M05L	
						< COIL >	
C758	1-124-910-11	ELECT	47uF 20% 50V	L701	1-420-872-00	COIL, AIR-CORE	
C759	1-161-959-00	CERAMIC	22PF 10% 500V	L751	1-420-872-00	COIL, AIR-CORE	
C760	1-161-959-00	CERAMIC	22PF 10% 500V			< TRANSISTOR >	
C763	1-130-487-00	MYLAR	0.022uF 5% 50V	Q602	8-749-010-43	IC NE-N250	
C765	1-161-959-00	CERAMIC	22PF 10% 500V	Q603	8-749-010-42	IC NE-P250	
				Q651	8-729-026-08	TRANSISTOR 2SC4495	
C766	1-161-959-00	CERAMIC	22PF 10% 500V	Q661	8-729-140-82	TRANSISTOR 2SA988-PAFAEA	
C971	1-125-752-11	ELECT	12000uF 20% 71V	Q662	8-729-140-82	TRANSISTOR 2SA988-PAFAEA	
C972	1-125-752-11	ELECT	12000uF 20% 71V				
C977	1-124-477-11	ELECT	47uF 20% 25V				
C978	1-124-910-11	ELECT	47uF 20% 50V				
C979	1-124-477-11	ELECT	47uF 20% 25V				
C980	1-124-477-11	ELECT	47uF 20% 25V				

MAIN AMPLIFIER

Ref. No.	Part No.	Description	Remark	Ref. No.	Part No.	Description	Remark
Q701	8-729-026-08	TRANSISTOR	2SC4495	R708	1-249-411-11	CARBON	330 5% 1/4W
Q702	8-749-010-43	IC NE-N250		△R709	1-249-393-11	CARBON	10 5% 1/4W F
Q703	8-749-010-42	IC NE-P250		△R710	1-249-393-11	CARBON	10 5% 1/4W F
Q707	8-729-140-82	TRANSISTOR	2SA988-PAFAEA	△R711	1-249-393-11	CARBON	10 5% 1/4W F
Q708	8-729-140-82	TRANSISTOR	2SA988-PAFAEA	△R712	1-249-393-11	CARBON	10 5% 1/4W F
Q719	8-729-119-79	TRANSISTOR	2SC2785-FEK	△R713	1-239-912-11	ENCAPSULATED COMPONENT	0.22 2W
Q721	8-729-184-53	TRANSISTOR	2SC1845-EA	△R714	1-239-912-11	ENCAPSULATED COMPONENT	0.22 2W
Q722	8-729-119-79	TRANSISTOR	2SC2785-FEK	R717	1-249-425-11	CARBON	4.7K 5% 1/4W F
Q723	8-729-119-79	TRANSISTOR	2SC2785-FEK	R718	1-249-425-11	CARBON	4.7K 5% 1/4W F
Q751	8-729-026-08	TRANSISTOR	2SC4495	R719	1-249-425-11	CARBON	4.7K 5% 1/4W F
Q752	8-749-010-43	IC NE-N250		R720	1-249-425-11	CARBON	4.7K 5% 1/4W F
Q753	8-749-010-42	IC NE-P250		R721	1-260-072-11	CARBON	4.7 5% 1/2W
Q757	8-729-140-82	TRANSISTOR	2SA988-PAFAEA	R722	1-249-431-11	CARBON	15K 5% 1/4W
Q758	8-729-140-82	TRANSISTOR	2SA988-PAFAEA	R723	1-249-431-11	CARBON	15K 5% 1/4W
Q971	8-729-140-96	TRANSISTOR	2SD774-34	R724	1-247-688-11	CARBON	10 5% 1/4W F (CND)
Q972	8-729-119-79	TRANSISTOR	2SC2785-FEK	R724	1-260-076-11	CARBON	10 5% 1/2W (US, E)
		< RESISTOR >		R725	1-249-417-11	CARBON	1K 5% 1/4W F
R608	1-249-431-11	CARBON	15K 5% 1/4W	R726	1-249-429-11	CARBON	10K 5% 1/4W
R617	1-249-425-11	CARBON	4.7K 5% 1/4W F	R727	1-249-439-11	CARBON	68K 5% 1/4W
R618	1-249-425-11	CARBON	4.7K 5% 1/4W F	R728	1-249-436-11	CARBON	39K 5% 1/4W
R619	1-249-425-11	CARBON	4.7K 5% 1/4W F	R729	1-249-434-11	CARBON	27K 5% 1/4W
R620	1-249-425-11	CARBON	4.7K 5% 1/4W F	R730	1-249-433-11	CARBON	22K 5% 1/4W
R622	1-249-431-11	CARBON	15K 5% 1/4W	R731	1-249-437-11	CARBON	47K 5% 1/4W
R623	1-249-431-11	CARBON	15K 5% 1/4W	R732	1-249-421-11	CARBON	2.2K 5% 1/4W F
R651	1-249-417-11	CARBON	1K 5% 1/4W F	△R739	1-249-401-11	CARBON	47 5% 1/4W F
R652	1-249-438-11	CARBON	56K 5% 1/4W	△R740	1-249-401-11	CARBON	47 5% 1/4W F
R653	1-249-413-11	CARBON	470 5% 1/4W F	R744	1-249-421-11	CARBON	2.2K 5% 1/4W F
R655	1-249-412-11	CARBON	390 5% 1/4W F	R745	1-249-421-11	CARBON	2.2K 5% 1/4W F
R656	1-249-438-11	CARBON	56K 5% 1/4W	△R747	1-249-415-11	CARBON	680 5% 1/4W F
R657	1-247-830-11	CARBON	910 5% 1/4W	△R748	1-249-415-11	CARBON	680 5% 1/4W F
R658	1-249-411-11	CARBON	330 5% 1/4W	R751	1-249-417-11	CARBON	1K 5% 1/4W F
△R659	1-249-393-11	CARBON	10 5% 1/4W F	R752	1-249-438-11	CARBON	56K 5% 1/4W
△R660	1-249-393-11	CARBON	10 5% 1/4W F	R753	1-249-413-11	CARBON	470 5% 1/4W F
△R661	1-249-393-11	CARBON	10 5% 1/4W F	△R754	1-249-397-11	CARBON	22 5% 1/4W F
△R662	1-249-393-11	CARBON	10 5% 1/4W F	R755	1-249-412-11	CARBON	390 5% 1/4W F
△R663	1-239-912-11	ENCAPSULATED COMPONENT	0.22 2W	R756	1-249-438-11	CARBON	56K 5% 1/4W
△R664	1-239-912-11	ENCAPSULATED COMPONENT	0.22 2W	R757	1-247-830-11	CARBON	910 5% 1/4W
R678	1-249-433-11	CARBON	22K 5% 1/4W	R758	1-249-411-11	CARBON	330 5% 1/4W
R680	1-249-421-11	CARBON	2.2K 5% 1/4W F	△R759	1-249-393-11	CARBON	10 5% 1/4W F
R681	1-249-421-11	CARBON	2.2K 5% 1/4W F	△R760	1-249-393-11	CARBON	10 5% 1/4W F
R698	1-249-421-11	CARBON	2.2K 5% 1/4W F	△R761	1-249-393-11	CARBON	10 5% 1/4W F
R699	1-249-421-11	CARBON	2.2K 5% 1/4W F	△R762	1-249-393-11	CARBON	10 5% 1/4W F
R701	1-249-417-11	CARBON	1K 5% 1/4W F	△R763	1-239-912-11	ENCAPSULATED COMPONENT	0.22 2W
R702	1-249-438-11	CARBON	56K 5% 1/4W	△R764	1-239-912-11	ENCAPSULATED COMPONENT	0.22 2W
R703	1-249-413-11	CARBON	470 5% 1/4W F	R767	1-249-425-11	CARBON	4.7K 5% 1/4W F
△R704	1-249-397-11	CARBON	22 5% 1/4W F	R758	1-249-425-11	CARBON	4.7K 5% 1/4W F
R705	1-249-412-11	CARBON	390 5% 1/4W F	R769	1-249-425-11	CARBON	4.7K 5% 1/4W F
R706	1-249-438-11	CARBON	56K 5% 1/4W	R770	1-249-425-11	CARBON	4.7K 5% 1/4W F
R707	1-247-830-11	CARBON	910 5% 1/4W	R771	1-260-072-11	CARBON	4.7 5% 1/2W
				R772	1-249-431-11	CARBON	15K 5% 1/4W

The components identified by mark △ or dotted line with mark △ are critical for safety.
Replace only with part number specified.

Les composants identifiés par une marque △ sont critiques pour la sécurité.
Ne les remplacer que par une pièce portant le numéro spécifié.

MAIN AMPLIFIER

MUTING SWITCH

POWER SUPPLY

Ref. No.	Part No.	Description	Remark
R773	1-249-431-11	CARBON 15K 5% 1/4W	
R774	1-247-688-11	CARBON 10 5% 1/4W	F (CND)
R774	1-260-076-11	CARBON 10 5% 1/2W	(US, E)
R794	1-249-421-11	CARBON 2.2K 5% 1/4W	F
R795	1-249-421-11	CARBON 2.2K 5% 1/4W	F
△R971	1-215-910-00	METAL OXIDE 68 5% 3W	F
△R972	1-215-909-11	METAL OXIDE 47 5% 3W	F
△R973	1-215-911-11	METAL 100 5% 3W	F
△R974	1-215-910-00	METAL OXIDE 68 5% 3W	F
△R975	1-249-409-11	CARBON 220 5% 1/4W	F
R976	1-249-426-11	CARBON 5.6K 5% 1/4W	
R977	1-249-421-11	CARBON 2.2K 5% 1/4W	F
< RELAY >			
RY701	1-515-741-21	RELAY	

*	1-652-986-11	MUTING SWITCH BOARD	*****
< CONNECTOR >			
* CNJ101	1-565-482-11	CONNECTOR, BOARD TO BOARD 6P	
< DIODE >			
D109	8-719-301-49	LED SEL2810A (-20dB)	
D110	8-719-301-49	LED SEL2810A (LOW BOOST)	
< RESISTOR >			
R106	1-249-410-11	CARBON 270 5% 1/4W	F
R110	1-249-410-11	CARBON 270 5% 1/4W	F
< SWITCH >			
S113	1-554-303-21	SWITCH, TACTILE (MUTING)	
S120	1-554-303-21	SWITCH, TACTILE (LOW BOOST)	

*	A-4371-310-A	POWER SUPPLY BOARD, COMPLETE (US, CND)	*****
*	A-4371-328-A	POWER SUPPLY BOARD, COMPLETE (E)	*****
< CAPACITOR >			
C950	1-124-557-11	ELECT 1000uF 20%	25V
C951	1-164-097-11	CERAMIC 0.022uF	50V
C952	1-164-097-11	CERAMIC 0.022uF	50V
C953	1-164-073-11	CERAMIC 100PF	10% 50V
C954	1-124-477-11	ELECT 47uF	20% 25V

Ref. No.	Part No.	Description	Remark
C955	1-124-477-11	ELECT 47uF	20% 25V
C959	1-124-464-11	ELECT 0.22uF	20% 50V
C960	1-124-903-11	ELECT 1uF	20% 50V
C961	1-161-494-00	CERAMIC 0.022uF	25V
C962	1-161-494-00	CERAMIC 0.022uF	25V
< CONNECTOR >			
CNP901	1-564-321-00	PIN, CONNECTOR 2P	
* CNP902	1-565-792-11	PIN, CONNECTOR 2P	
CNP903	1-568-106-11	PIN, CONNECTOR 4P (E)	
CNP904	1-691-771-11	PLUG (MICRO CONNECTOR) 9P	
△CNS901	1-540-060-11	OUTLET, AC (POLAR) (AC OUTLET)	
< DIODE >			
D951	8-719-987-63	DIODE 1N4148M	
D952	8-719-987-63	DIODE 1N4148M	
D953	8-719-987-63	DIODE 1N4148M	
D954	8-719-024-99	DIODE 11ES2-NTA2B	
D955	8-719-024-99	DIODE 11ES2-NTA2B	
D956	8-719-024-99	DIODE 11ES2-NTA2B	
D957	8-719-024-99	DIODE 11ES2-NTA2B	
D958	8-719-933-41	DIODE HZS6C3L	
D959	8-719-985-53	DIODE HZS4ALL	
D961	8-719-933-41	DIODE HZS6C3L	
< FUSE >			
△F902	1-532-350-00	TIME LAG FUSE (T4AL 250V) (E)	
△F902	1-532-749-11	FUSE, GLASS TUBE (8A 125V) (US, CND)	
△F904	1-532-350-00	TIME LAG FUSE (T4AL 250V) (E)	
< TRANSISTOR >			
Q952	8-729-119-79	TRANSISTOR 2SC2785-FEK	
Q953	8-729-209-15	TRANSISTOR 2SD2012	
Q954	8-729-119-79	TRANSISTOR 2SC2785-FEK	
Q955	8-729-119-76	TRANSISTOR 2SA1175-HFE	
Q956	8-729-119-76	TRANSISTOR 2SA1175-HFE	
Q958	8-729-119-79	TRANSISTOR 2SC2785-FEK	
< RESISTOR >			
△R901	1-202-725-00	SOLID 3.3M 10%	1/2W (US, CND)
R951	1-249-396-11	CARBON 18 5%	1/4W F
R952	1-249-417-11	CARBON 1K 5%	1/4W F
R954	1-249-433-11	CARBON 22K 5%	1/4W
R955	1-249-437-11	CARBON 47K 5%	1/4W
R956	1-249-425-11	CARBON 4.7K 5%	1/4W F
R957	1-249-429-11	CARBON 10K 5%	1/4W
R958	1-249-417-11	CARBON 1K 5%	1/4W F
R959	1-249-429-11	CARBON 10K 5%	1/4W
R960	1-249-429-11	CARBON 10K 5%	1/4W
R962	1-249-426-11	CARBON 5.6K 5%	1/4W
R963	1-249-417-11	CARBON 1K 5%	1/4W F

The components identified by mark △ or dotted line with mark △ are critical for safety. Replace only with part number specified.

Les composants identifiés par une marque △ sont critiques pour la sécurité. Ne les remplacer que par une pièce portant le numéro spécifié.

POWER SUPPLY

POWER SWITCH

REAR AMPLIFIER (S)

SP. TERMINAL

Ref. No.	Part No.	Description	Remark
R964	1-249-426-11	CARBON 5.6K 5% 1/4W	
		< RELAY >	
△RY901	1-515-701-11	RELAY (US, CND)	
△RY901	1-515-701-21	RELAY (E)	
		< TRANSFORMER >	
△T901	1-450-358-11	TRANSFORMER, POWER (E)	
△T901	1-450-361-11	TRANSFORMER, POWER (US, CND)	
		< SWITCH >	
△VS901	1-571-437-11	SWITCH, POWER VOLTAGE CHANGE (VOLTAGE SELECT) (E)	

*	1-652-978-11	POWER SWITCH BOARD	
		< SWITCH >	
S101	1-554-303-21	SWITCH, TACTILE (POWER ON/STANDBY)	

*	1-653-001-11	REAR AMPLIFIER (S) BOARD	
		< CAPACITOR >	
C621	1-124-927-11	ELECT 4.7uF 20% 100V	
C622	1-164-073-11	CERAMIC 100PF 10% 50V	
C623	1-164-073-11	CERAMIC 100PF 10% 50V	
C624	1-124-925-11	ELECT 2.2uF 20% 100V	
C698	1-124-929-11	ELECT 22uF 20% 100V	
C699	1-124-929-11	ELECT 22uF 20% 100V	
		< CONNECTOR >	
CNP610	1-691-765-11	PLUG (MICRO CONNECTOR) 3P	
CNP620	1-691-765-21	PLUG (MICRO CONNECTOR) 3P	
		< IC >	
IC631	8-759-295-87	IC SI-18752-LM	
		< RESISTOR >	
R631	1-249-409-11	CARBON 220 5% 1/4W F	
R632	1-249-441-11	CARBON 100K 5% 1/4W	
R633	1-247-830-11	CARBON 910 5% 1/4W	
R634	1-249-439-11	CARBON 68K 5% 1/4W	

Ref. No.	Part No.	Description	Remark
*	A-4371-336-A	SP. TERMINAL BOARD, COMPLETE	

		(INCLUDING SPEAKER (F) BOARD, SPEAKER JOINT BOARD, SPEAKER (C) BOARD)	
		< CAPACITOR >	
C605	1-136-157-00	FILM 0.022uF 5% 50V	
C663	1-136-157-00	FILM 0.022uF 5% 50V	
C963	1-124-618-11	ELECT 2200uF 20% 35V	
C965	1-126-413-11	ELECT 3300uF 20% 35V	
C996	1-164-097-11	CERAMIC 0.022uF 50V	
C997	1-164-097-11	CERAMIC 0.022uF 50V	
		< CONNECTOR >	
CNP652	1-564-320-00	PIN, CONNECTOR (B2P-VH) 2P	
CNP653	1-691-770-11	PLUG (MICRO CONNECTOR) 8P	
* CNP705	1-564-674-11	PIN, CONNECTOR 8P	
* CNP952	1-564-104-00	PIN, CONNECTOR (B3P-VH) 3P	
		< DIODE >	
D601	8-719-987-63	DIODE 1N4148M	
D641	8-719-987-63	DIODE 1N4148M	
D645	8-719-987-63	DIODE 1N4148M	
D970	8-719-312-09	DIODE RBA-402	
		< COIL >	
L601	1-420-872-00	COIL, AIR-CORE	
L651	1-420-872-00	COIL, AIR-CORE	
		< TRANSISTOR >	
Q614	8-729-119-79	TRANSISTOR 2SC2785-FEK	
Q643	8-729-119-79	TRANSISTOR 2SC2785-FEK	
		< RESISTOR >	
△R605	1-249-389-11	CARBON 4.7 5% 1/4W F	
△R606	1-249-393-11	CARBON 10 5% 1/4W F	
R621	1-260-072-11	CARBON 4.7 5% 1/2W	
△R624	1-249-393-11	CARBON 10 5% 1/4W F	
△R691	1-249-415-11	CARBON 680 5% 1/4W F	
△R692	1-249-415-11	CARBON 680 5% 1/4W F	
△R693	1-249-416-11	CARBON 820 5% 1/4W F	
△R694	1-249-416-11	CARBON 820 5% 1/4W F	
		< RELAY >	
RY641	1-515-765-11	RELAY	
RY643	1-515-741-21	RELAY	
		< SWITCH >	
S721	1-692-196-11	SWITCH, SLIDE (IMPEDANCE SELECT)	

The components identified by mark △ or dotted line with mark △ are critical for safety. Replace only with part number specified.	Les composants identifiés par une marque △ sont critiques pour la sécurité. Ne les remplacer que par une pièce portant le numéro spécifié.
--	--

SP. TERMINAL

SPEAKER SELECTOR

SURROUND

Ref. No.	Part No.	Description	Remark	Ref. No.	Part No.	Description	Remark
		< TERMINAL >					
TM601	1-537-754-11	TERMINAL BOARD (6P) (REAR/CENTER SPEAKERS)		C308	1-124-907-11	ELECT	10uF 20% 50V
* TM701	1-537-519-11	TERMINAL BOARD (SP) (FRONT SPEAKERS)		C309	1-162-286-31	CERAMIC	220PF 10% 50V
*****				C310	1-124-927-11	ELECT	4.7uF 20% 100V
* 1-652-980-11	SPEAKER SELECTOR BOARD *****			C311	1-124-925-11	ELECT	2.2uF 20% 100V
		< CAPACITOR >		C312	1-161-379-00	CERAMIC	0.01uF 20% 25V
C799	1-164-159-11	CERAMIC 0.1uF	50V	C315	1-136-159-00	FILM	0.033uF 5% 50V
		< CONNECTOR >		C316	1-124-907-11	ELECT	10uF 20% 50V
* CNP703	1-564-242-00	PIN, CONNECTOR 5P		C317	1-124-120-11	ELECT	220uF 20% 25V
* CNP704	1-564-674-11	PIN, CONNECTOR 8P		C318	1-130-469-00	MYLAR	680PF 5% 50V
		< JACK >		C320	1-164-159-11	CERAMIC	0.1uF 50V
J700	1-750-162-41	JACK (LARGE TYPE) (HEADPHONES)		C321	1-164-159-11	CERAMIC	0.1uF 50V
		< RESISTOR >		C322	1-124-927-11	ELECT	4.7uF 20% 100V
△R746	1-215-869-11	METAL OXIDE 1K 5% 1W F		C323	1-136-173-00	FILM	0.47uF 5% 50V
△R796	1-215-869-11	METAL OXIDE 1K 5% 1W F		C324	1-124-910-11	ELECT	47uF 20% 50V
		< SWITCH >		C325	1-136-165-00	FILM	0.1uF 5% 50V
S701	1-572-911-11	SWITCH, ROTARY SLIDE (SPEAKERS)		C326	1-136-165-00	FILM	0.1uF 5% 50V
*****				C327	1-124-902-00	ELECT	0.47uF 20% 50V
* A-4371-330-A	SURROUND BOARD, COMPLETE (US, CND) *****			C328	1-124-927-11	ELECT	4.7uF 20% 100V
* A-4371-331-A	SURROUND BOARD, COMPLETE (E) *****			C329	1-124-902-00	ELECT	0.47uF 20% 50V
		< CAPACITOR >		C330	1-124-927-11	ELECT	4.7uF 20% 100V
C201	1-161-379-00	CERAMIC 0.01uF	20% 25V	C331	1-124-250-00	ELECT	0.15uF 20% 50V
C202	1-124-477-11	ELECT 47uF	20% 25V	C332	1-126-962-11	ELECT	3.3uF 20% 50V
C203	1-161-379-00	CERAMIC 0.01uF	20% 25V	C333	1-124-250-00	ELECT	0.15uF 20% 50V
C204	1-124-903-11	ELECT 1uF	20% 50V	C334	1-136-157-00	FILM	0.022uF 5% 50V
C206	1-104-905-11	CAP, DOUBLE LAYERS 0.22F		C335	1-136-161-00	MYLAR	0.0047uF 5% 50V
C207	1-161-379-00	CERAMIC 0.01uF	20% 25V	C336	1-124-120-11	ELECT	220uF 20% 25V
C208	1-124-925-11	ELECT 2.2uF	20% 100V	C337	1-124-907-11	ELECT	10uF 20% 50V
C209	1-161-379-00	CERAMIC 0.01uF	20% 25V	C338	1-124-907-11	ELECT	10uF 20% 50V
C299	1-161-379-00	CERAMIC 0.01uF	20% 25V	C339	1-124-907-11	ELECT	10uF 20% 50V
C302	1-124-120-11	ELECT 220uF	20% 25V	C340	1-124-907-11	ELECT	10uF 20% 50V
C303	1-136-159-00	FILM 0.033uF	5% 50V	C341	1-124-120-11	ELECT	220uF 20% 25V
C304	1-130-473-00	MYLAR 0.0015uF	5% 50V	C342	1-126-962-11	ELECT	3.3uF 20% 50V
C305	1-136-159-00	FILM 0.033uF	5% 50V	C343	1-126-962-11	ELECT	3.3uF 20% 50V
C306	1-124-903-11	ELECT 1uF	20% 50V	C344	1-136-165-00	FILM	0.1uF 5% 50V
C307	1-124-907-11	ELECT 10uF	20% 50V	C345	1-136-165-00	FILM	0.1uF 5% 50V
				C346	1-124-902-00	ELECT	0.47uF 20% 50V
				C347	1-124-927-11	ELECT	4.7uF 20% 100V
				C348	1-124-902-00	ELECT	0.47uF 20% 50V
				C349	1-124-927-11	ELECT	4.7uF 20% 100V
				C350	1-124-250-00	ELECT	0.15uF 20% 50V
				C351	1-126-962-11	ELECT	3.3uF 20% 50V
				C352	1-124-250-00	ELECT	0.15uF 20% 50V
				C355	1-164-159-11	CERAMIC	0.1uF 50V
				C356	1-164-159-11	CERAMIC	0.1uF 50V
				C358	1-161-379-00	CERAMIC	0.01uF 20% 25V
				C359	1-124-927-11	ELECT	4.7uF 20% 100V
				C360	1-124-927-11	ELECT	4.7uF 20% 100V
				C401	1-164-159-11	CERAMIC	0.1uF 50V
				C404	1-136-171-00	FILM	0.33uF 5% 50V
				C405	1-136-159-00	FILM	0.033uF 5% 50V

<p>The components identified by mark △ or dotted line with mark △ are critical for safety. Replace only with part number specified.</p>	<p>Les composants identifiés par une marque △ sont critiques pour la sécurité. Ne les remplacer que par une pièce portant le numéro spécifié.</p>
---	---

SURROUND

Ref. No.	Part No.	Description	Remark	Ref. No.	Part No.	Description	Remark
C404	1-136-171-00	FILM	0.33uF 5% 50V	IC202	8-759-264-78	IC uPD75518GF-195-3B9	
C405	1-136-159-00	FILM	0.033uF 5% 50V	IC300	8-759-168-98	IC LV1010N	
C406	1-124-927-11	ELECT	4.7uF 20% 100V	IC301	8-759-248-74	IC LA2785	
C407	1-162-209-31	CERAMIC	27PF 5% 50V	IC302	8-759-634-51	IC M5218AP	
C408	1-124-477-11	ELECT	47uF 20% 25V	IC401	8-759-072-32	IC TC9184P	
C409	1-164-159-11	CERAMIC	0.1uF 50V	IC402	8-759-634-51	IC M5218AP	
C410	1-124-477-11	ELECT	47uF 20% 25V			< COIL >	
C411	1-136-154-00	FILM	0.012uF 5% 50V	L201	1-410-521-11	INDUCTOR 100uH	
C412	1-136-163-00	FILM	0.068uF 5% 50V	L301	1-410-521-11	INDUCTOR 100uH	
C413	1-130-476-00	MYLAR	0.0027uF 5% 50V	L302	1-410-521-11	INDUCTOR 100uH	
C414	1-124-907-11	ELECT	10uF 20% 50V			< TRANSISTOR >	
C415	1-136-157-00	FILM	0.022uF 5% 50V	Q201	8-729-900-63	TRANSISTOR DTA124ES	
C416	1-124-927-11	ELECT	4.7uF 20% 100V	Q202	8-729-119-79	TRANSISTOR 2SC2785-FEK	
C454	1-136-171-00	FILM	0.33uF 5% 50V	Q210	8-729-900-63	TRANSISTOR DTA124ES	
C455	1-136-159-00	FILM	0.033uF 5% 50V	Q211	8-729-900-63	TRANSISTOR DTA124ES	
C456	1-124-927-11	ELECT	4.7uF 20% 100V	Q213	8-729-900-63	TRANSISTOR DTA124ES	
C457	1-162-209-31	CERAMIC	27PF 5% 50V	Q305	8-729-141-30	TRANSISTOR 2SC3623A-LK	
C458	1-124-477-11	ELECT	47uF 20% 25V	Q306	8-729-141-30	TRANSISTOR 2SC3623A-LK	
C459	1-164-159-11	CERAMIC	0.1uF 50V	Q307	8-729-141-30	TRANSISTOR 2SC3623A-LK	
C460	1-124-477-11	ELECT	47uF 20% 25V	Q308	8-729-141-30	TRANSISTOR 2SC3623A-LK	
C461	1-136-154-00	FILM	0.012uF 5% 50V	Q401	8-729-202-67	TRANSISTOR 2SK246-GR3	
C462	1-136-163-00	FILM	0.068uF 5% 50V	Q402	8-729-141-30	TRANSISTOR 2SC3623A-LK	
C463	1-130-476-00	MYLAR	0.0027uF 5% 50V	Q403	8-729-141-30	TRANSISTOR 2SC3623A-LK	
C464	1-124-907-11	ELECT	10uF 20% 50V	Q451	8-729-202-67	TRANSISTOR 2SK246-GR3	
C465	1-136-157-00	FILM	0.022uF 5% 50V	Q452	8-729-141-30	TRANSISTOR 2SC3623A-LK	
C821	1-124-120-11	ELECT	220uF 20% 25V	Q453	8-729-141-30	TRANSISTOR 2SC3623A-LK	
C822	1-124-477-11	ELECT	47uF 20% 25V	Q808	8-729-180-92	TRANSISTOR 2SD809-K	
		< CERAMIC FILTER >				< RESISTOR >	
CF201	1-567-776-41	VIBRATOR, CERAMIC (6MHz)		R201	1-249-437-11	CARBON 47K 5% 1/4W	
		< CONNECTOR >		R202	1-249-437-11	CARBON 47K 5% 1/4W	
CNP201	1-695-088-11	PIN, CONNECTOR (PC BOARD) 9P		R203	1-247-807-31	CARBON 100 5% 1/4W	
CNP202	1-695-088-11	PIN, CONNECTOR (PC BOARD) 9P		R204	1-249-429-11	CARBON 10K 5% 1/4W	
* CNP203	1-764-210-11	CONNECTOR, BOARD TO BOARD 12P		R205	1-249-429-11	CARBON 10K 5% 1/4W	
CNS201	1-764-932-11	CONNECTOR, FFC (LIF(NON-ZIF)) 27P		R206	1-249-429-11	CARBON 10K 5% 1/4W	
		< DIODE >		R207	1-249-429-11	CARBON 10K 5% 1/4W	
D202	8-719-987-63	DIODE 1N4148M		R208	1-249-429-11	CARBON 10K 5% 1/4W	
D204	8-719-987-63	DIODE 1N4148M		R209	1-249-425-11	CARBON 4.7K 5% 1/4W F	
D205	8-719-987-63	DIODE 1N4148M		R210	1-249-437-11	CARBON 47K 5% 1/4W	
D542	8-719-987-63	DIODE 1N4148M		R211	1-249-421-11	CARBON 2.2K 5% 1/4W F	
D817	8-719-001-30	DIODE UZL-9H3		R212	1-249-437-11	CARBON 47K 5% 1/4W	
		< FRONTEND >		R213	1-249-423-11	CARBON 3.3K 5% 1/4W F	
FE201	1-239-611-21	ENCAPSULATED COMPONENT (E)		R214	1-249-433-11	CARBON 22K 5% 1/4W	
FE201	1-239-727-21	ENCAPSULATED COMPONENT (FCC) (US, CND)		R215	1-249-425-11	CARBON 4.7K 5% 1/4W F	
		< IC >		R216	1-249-429-11	CARBON 10K 5% 1/4W	
IC201	8-759-820-62	IC LB1639		R217	1-249-429-11	CARBON 10K 5% 1/4W	
				R218	1-249-429-11	CARBON 10K 5% 1/4W	
				R219	1-249-429-11	CARBON 10K 5% 1/4W	

SURROUND

SURROUND JOINT

Ref. No.	Part No.	Description	Remark	Ref. No.	Part No.	Description	Remark
R220	1-249-429-11	CARBON	10K 5% 1/4W	R419	1-249-417-11	CARBON	1K 5% 1/4W F
R221	1-249-429-11	CARBON	10K 5% 1/4W	R420	1-247-807-31	CARBON	100 5% 1/4W
R222	1-249-429-11	CARBON	10K 5% 1/4W	R421	1-249-417-11	CARBON	1K 5% 1/4W F
R230	1-249-421-11	CARBON	2.2K 5% 1/4W F	R426	1-249-425-11	CARBON	4.7K 5% 1/4W F
R231	1-249-421-11	CARBON	2.2K 5% 1/4W F	R427	1-249-441-11	CARBON	100K 5% 1/4W
R232	1-249-421-11	CARBON	2.2K 5% 1/4W F	R452	1-249-433-11	CARBON	22K 5% 1/4W
R233	1-249-421-11	CARBON	2.2K 5% 1/4W F	R453	1-249-431-11	CARBON	15K 5% 1/4W
R234	1-249-417-11	CARBON	1K 5% 1/4W F	R454	1-249-441-11	CARBON	100K 5% 1/4W
R235	1-249-417-11	CARBON	1K 5% 1/4W F	R455	1-249-423-11	CARBON	3.3K 5% 1/4W F
R244	1-249-437-11	CARBON	47K 5% 1/4W	R456	1-247-883-00	CARBON	150K 5% 1/4W
R245	1-249-437-11	CARBON	47K 5% 1/4W	R457	1-249-412-11	CARBON	390 5% 1/4W F
R247	1-249-437-11	CARBON	47K 5% 1/4W	R458	1-249-427-11	CARBON	6.8K 5% 1/4W F
R250	1-249-413-11	CARBON	470 5% 1/4W F	R459	1-249-427-11	CARBON	6.8K 5% 1/4W F
R300	1-247-903-00	CARBON	1M 5% 1/4W	R460	1-249-440-11	CARBON	82K 5% 1/4W
R301	1-249-413-11	CARBON	470 5% 1/4W F	R461	1-247-895-00	CARBON	470K 5% 1/4W
R302	1-249-431-11	CARBON	15K 5% 1/4W	R462	1-249-419-11	CARBON	1.5K 5% 1/4W F
R306	1-249-433-11	CARBON	22K 5% 1/4W	R463	1-249-425-11	CARBON	4.7K 5% 1/4W F
R307	1-249-436-11	CARBON	39K 5% 1/4W	R464	1-247-897-11	CARBON	560K 5% 1/4W
R350	1-249-413-11	CARBON	470 5% 1/4W F	R465	1-249-436-11	CARBON	39K 5% 1/4W
R353	1-249-425-11	CARBON	4.7K 5% 1/4W F	R466	1-249-434-11	CARBON	27K 5% 1/4W
R354	1-249-425-11	CARBON	4.7K 5% 1/4W F	R467	1-249-426-11	CARBON	5.6K 5% 1/4W
R355	1-249-425-11	CARBON	4.7K 5% 1/4W F	R468	1-249-418-11	CARBON	1.2K 5% 1/4W F
R356	1-249-425-11	CARBON	4.7K 5% 1/4W F	R469	1-249-417-11	CARBON	1K 5% 1/4W F
R357	1-249-441-11	CARBON	100K 5% 1/4W	R470	1-247-807-31	CARBON	100 5% 1/4W
R358	1-249-441-11	CARBON	100K 5% 1/4W	R476	1-249-425-11	CARBON	4.7K 5% 1/4W F
R359	1-249-429-11	CARBON	10K 5% 1/4W	R477	1-249-441-11	CARBON	100K 5% 1/4W
R360	1-249-429-11	CARBON	10K 5% 1/4W	R822	1-247-811-31	CARBON	150 5% 1/4W
R361	1-249-433-11	CARBON	22K 5% 1/4W			< TERMINAL >	
R362	1-249-432-11	CARBON	18K 5% 1/4W	TM201	1-537-769-11	TERMINAL BOARD (ANTENNA)	
R378	1-249-441-11	CARBON	100K 5% 1/4W			< VIBRATOR >	
R379	1-249-441-11	CARBON	100K 5% 1/4W	X301	1-579-952-21	VIBRATOR, CERAMIC (8MHz)	
R398	1-249-417-11	CARBON	1K 5% 1/4W F	*****			
R401	1-247-903-00	CARBON	1M 5% 1/4W	*	1-652-985-11	SURROUND JOINT BOARD	
R402	1-249-433-11	CARBON	22K 5% 1/4W			*****	
R403	1-249-431-11	CARBON	15K 5% 1/4W			< CONNECTOR >	
R404	1-249-441-11	CARBON	100K 5% 1/4W	CNP503	1-695-088-11	PIN, CONNECTOR (PC BOARD) 9P	
R405	1-249-423-11	CARBON	3.3K 5% 1/4W F	CNP504	1-695-088-11	PIN, CONNECTOR (PC BOARD) 9P	
R406	1-247-883-00	CARBON	150K 5% 1/4W	CNS201	1-695-093-11	SOCKET, CONNECTOR 9P	
R407	1-249-412-11	CARBON	390 5% 1/4W F	CNS202	1-695-093-11	SOCKET, CONNECTOR 9P	
R408	1-249-427-11	CARBON	6.8K 5% 1/4W F	*****			
R409	1-249-427-11	CARBON	6.8K 5% 1/4W F				
R410	1-249-440-11	CARBON	82K 5% 1/4W				
R411	1-247-895-00	CARBON	470K 5% 1/4W				
R412	1-249-419-11	CARBON	1.5K 5% 1/4W F				
R413	1-249-425-11	CARBON	4.7K 5% 1/4W F				
R414	1-247-897-11	CARBON	560K 5% 1/4W				
R415	1-249-436-11	CARBON	39K 5% 1/4W				
R416	1-249-434-11	CARBON	27K 5% 1/4W				
R417	1-249-426-11	CARBON	5.6K 5% 1/4W				
R418	1-249-418-11	CARBON	1.2K 5% 1/4W F				

TRANSFORMER TERMINAL (1-1)

TRANSFORMER TERMINAL (1-2)

TRANSFORMER TERMINAL (2)

VIDEO

Ref. No.	Part No.	Description	Remark
*	1-652-998-11	TRANSFORMER TERMINAL(1-1) BOARD (US, CND) *****	

*	1-652-999-11	TRANSFORMER TERMINAL(1-2) BOARD *****	
	1-532-293-11	FUSE HOLDER < CONNECTOR >	
	CNP971 1-564-506-11	PLUG, CONNECTOR 3P	
*	CNP972 1-564-104-00	PIN, CONNECTOR (B3P-VH) 3P	
	CNP973 1-564-321-00	PIN, CONNECTOR 2P (US, CND) < DIODE >	
	D962 8-719-014-66	DIODE UZP-5.6B < FUSE >	
△	F951 1-532-299-00	TIME LAG FUSE (T5AL 250V) (E)	
△	F951 1-576-109-11	FUSE (5A 125V) (US, CND)	
△	F953 1-532-299-00	TIME LAG FUSE (T5AL 250V) (E)	
△	F953 1-576-109-11	FUSE (5A 125V) (US, CND)	

*	1-653-000-11	TRANSFORMER TERMINAL (2) BOARD *****	
	1-533-293-11	FUSE HOLDER < CONNECTOR >	
*	CNP970 1-564-242-00	PIN, CONNECTOR 5P < DIODE >	
	D966 8-719-987-63	DIODE 1N4148M	
	D967 8-719-987-63	DIODE 1N4148M (CND) < FUSE >	
△	F954 1-532-506-51	TIME LAG FUSE (T6.3AL 250V) (E)	
△	F954 1-532-749-11	FUSE, GLASS TUBE (8A 125V) (US, CND)	
△	F955 1-532-506-51	TIME LAG FUSE (T6.3AL 250V) (E)	
△	F955 1-532-749-11	FUSE, GLASS TUBE (8A 125V) (US, CND) < RESISTOR >	
△	R980 1-249-413-11	CARBON 470 5% 1/4W F	
△	R981 1-249-413-11	CARBON 470 5% 1/4W F	
△	R982 1-249-413-11	CARBON 470 5% 1/4W F (CND)	
△	R983 1-249-413-11	CARBON 470 5% 1/4W F (CND)	

Ref. No.	Part No.	Description	Remark
		< RELAY >	
	RY951 1-515-894-11	RELAY (US, E)	
	RY952 1-515-918-11	RELAY (CND)	
	RY953 1-515-918-11	RELAY (CND)	

*	1-652-992-11	VIDEO BOARD *****	
		< CAPACITOR >	
	C251 1-124-472-11	ELECT 470uF 20% 10V	
	C252 1-124-927-11	ELECT 4.7uF 20% 100V	
	C253 1-124-472-11	ELECT 470uF 20% 10V	
	C254 1-124-927-11	ELECT 4.7uF 20% 100V	
	C255 1-124-472-11	ELECT 470uF 20% 10V	
	C256 1-124-927-11	ELECT 4.7uF 20% 100V	
	C257 1-124-927-11	ELECT 4.7uF 20% 100V	
	C259 1-124-927-11	ELECT 4.7uF 20% 100V	
	C260 1-161-494-00	CERAMIC 0.022uF 25V	
	C278 1-124-927-11	ELECT 4.7uF 20% 100V	
		< CONNECTOR >	
	CNP241 1-695-089-11	PIN, CONNECTOR (PC BOARD) 11P	
	CNP250 1-750-179-11	SOCKET, CONNECTOR 5P	
		< IC >	
	IC251 8-759-061-95	IC SN761200N	
		< JACK >	
	J201 1-766-199-11	JACK, PIN 3P (VIDEO 2/LD/TV IN-VIDEO)	
*	J202 1-695-317-11	JACK, PIN 2P (VIDEO 1 IN, VIDEO 2 OUT-VIDEO)	
*	J203 1-695-317-11	JACK, PIN 2P (VIDEO 1 OUT, MONITOR OUT-VIDEO)	
		< COIL >	
	L251 1-410-509-11	INDUCTOR 10uH	
		< TRANSISTOR >	
	Q251 8-729-119-76	TRANSISTOR 2SA1175-HFE	
	Q252 8-729-119-76	TRANSISTOR 2SA1175-HFE	
	Q253 8-729-119-76	TRANSISTOR 2SA1175-HFE	
	Q254 8-729-900-63	TRANSISTOR DTA124ES	
		< RESISTOR >	
	R251 1-249-403-11	CARBON 68 5% 1/4W F	
	R252 1-249-429-11	CARBON 10K 5% 1/4W	
	R253 1-247-804-11	CARBON 75 5% 1/4W	
	R254 1-249-403-11	CARBON 68 5% 1/4W F	
	R255 1-249-429-11	CARBON 10K 5% 1/4W	

The components identified by mark △ or dotted line with mark △ are critical for safety. Replace only with part number specified.	Les composants identifiés par une marque △ sont critiques pour la sécurité. Ne les remplacer que par une pièce portant le numéro spécifié.
--	--

Ref. No.	Part No.	Description	Remark
R256	1-247-804-11	CARBON 75 5% 1/4W	
R257	1-249-403-11	CARBON 68 5% 1/4W F	
R258	1-249-429-11	CARBON 10K 5% 1/4W	
R259	1-247-804-11	CARBON 75 5% 1/4W	
R260	1-247-804-11	CARBON 75 5% 1/4W	
R261	1-247-811-31	CARBON 150 5% 1/4W	
R262	1-247-807-31	CARBON 100 5% 1/4W	
R263	1-247-811-31	CARBON 150 5% 1/4W	
R264	1-247-807-31	CARBON 100 5% 1/4W	
R265	1-247-811-31	CARBON 150 5% 1/4W	
R266	1-247-807-31	CARBON 100 5% 1/4W	

*	1-652-981-11	VIDEO-3 BOARD ***** < CONNECTOR >	
CNJ207	1-766-206-11	JACK, PIN 3P (VIDEO 3 INPUT)	
* CNP230	1-564-520-11	PLUG, CONNECTOR 5P < RESISTOR >	
R250	1-247-804-11	CARBON 75 5% 1/4W	
R537	1-249-417-11	CARBON 1K 5% 1/4W F	
R587	1-249-417-11	CARBON 1K 5% 1/4W F	

*	1-652-982-11	VOLUME BOARD ***** < CAPACITOR >	
C598	1-124-903-11	ELECT 1uF 20% 50V	
C599	1-124-903-11	ELECT 1uF 20% 50V	
< CONNECTOR >			
CNP551	1-568-672-11	CONNECTOR, BOARD TO BOARD 12P	
CNP552	1-691-769-11	PLUG (MICRO CONNECTOR) 7P < RESISTOR >	
R599	1-249-409-11	CARBON 220 5% 1/4W F	
< VARIABLE RESISTOR >			
RV503	1-241-816-11	RES, VAR, CARBON 100KX4 (MASTER VOLUME)	

MISCELLANEOUS *****			
11	1-765-300-11	WIRE (FLAT TYPE) (13 CORE)	
12	1-765-308-11	WIRE (FLAT TYPE) (27 CORE)	

Ref. No.	Part No.	Description	Remark
△51	1-575-975-11	CORD, POWER (US, CND)	
△51	1-590-074-11	CORD, POWER (E)	
△52	1-569-007-11	ADAPTER, CONVERSION 2P (E)	
△54	1-769-077-31	LEAD (WITH CONNECTOR) (2 CORE) (US, CND)	
△F902	1-532-350-00	TIME LAG FUSE (T4AL 250V) (E)	
△F902	1-532-749-11	FUSE, GLASS TUBE (8A 125V) (US, CND)	
△F904	1-532-350-00	TIME LAG FUSE (T4AL 250V) (E)	
△F951	1-532-299-00	TIME LAG FUSE (T5AL 250V) (E)	
△F951	1-576-109-11	FUSE (5A 125V) (US, CND)	
△F953	1-532-299-00	FUSE TIME LAG FUSE (T5AL 250V) (E)	
△F953	1-576-109-11	FUSE (5A 125V) (US, CND)	
△F954	1-532-506-51	TIME LAG FUSE (T6.3AL 250V) (E)	
△F954	1-532-749-11	FUSE, GLASS TUBE (8A 125V) (US, CND)	
△F955	1-532-506-51	TIME LAG FUSE (T6.3AL 250V) (E)	
△F955	1-532-749-11	FUSE, GLASS TUBE (8A 125V) (US, CND)	
IC631	8-759-502-33	IC SI-18752	
Q602	8-749-010-43	IC NE-N250	
Q603	8-749-010-42	IC NE-P250	
Q651	8-729-026-08	TRANSISTOR 2SC4495	
Q701	8-729-026-08	TRANSISTOR 2SC4495	
Q702	8-749-010-43	IC NE-N250	
Q703	8-749-010-42	IC NE-P250	
Q751	8-729-026-08	TRANSISTOR 2SC4495	
Q752	8-749-010-43	IC NE-N250	
Q753	8-749-010-42	IC NE-P250	
△T902	1-426-880-11	TRANSFORMER, POWER (US)	
△T902	1-426-881-11	TRANSFORMER, POWER (CND)	
△T902	1-426-882-11	TRANSFORMER, POWER (E)	

ACCESSORIES & PACKING MATERIALS *****			
	1-467-638-11	REMOTE COMMANDER (RM-P341)	
	1-501-374-11	ANTENNA, LOOP	
	3-758-873-11	MANUAL, INSTRUCTION (ENGLISH, FRENCH, SPANISH, CHINESE) (E)	
	3-758-873-21	MANUAL, INSTRUCTION (ENGLISH) (US, CND)	
	3-758-873-31	MANUAL, INSTRUCTION (FRENCH) (CND)	
	4-925-079-11	COVER (6), BATTERY (RM-P341)	
	4-933-001-01	CUSHION	
*	4-967-070-01	INDIVIDUAL CARTON	

***** HARDWARE LIST *****			
#1	7-685-646-79	SCREW +BVTP 3X8 TYPE2 IT-3	
#2	7-682-547-09	SCREW +BVTT 3X6 (S)	
#3	7-685-645-79	SCREW +BVTP 3X6 TYPE2 IT-3	
#4	7-682-561-04	SCREW +BVTT 4X8 (S)	
#5	7-682-548-04	SCREW +BVTT 3X8 (S)	

The components identified by mark △ or dotted line with mark △ are critical for safety. Replace only with part number specified.	Les composants identifiés par une marque △ sont critiques pour la sécurité. Ne les remplacer que par une pièce portant le numéro spécifié.
--	--

STR-D1015

SONY SERVICE MANUAL

*US Model
Canadian Model
E Model
Chinese Model*

SUPPLEMENT-1

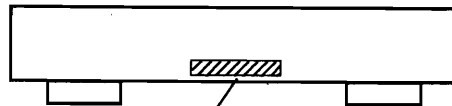
File this supplement with the service manual.

Subject : 1. Malaysia production model
2. Model Addition (Chinese model)
3. Circuit and parts changed (For Japan production)
4. Correction

(ECN-TA404816/TA500331)

How to identify production which made in Malaysia.

— BACK PANEL —



	Made in Japan	Made in Malaysia
STR-D1015 (US model)	4-966-945-0□	4-971-863-0□
STR-D1015 (Canadian model)	4-966-945-1□	4-971-863-1□
STR-D1015 (E model)	4-966-945-2□	4-971-863-2□
STR-D1015 (Chinese model)	_____	4-971-863-3□

NOTE:

The components identified by mark Δ or dotted line with mark Δ are critical for safety. Replace only with part number specified.

Les composants identifiés par une marque Δ sont critiques pour la sécurité. Ne les remplacer que par une pièce portant le numéro spécifié.

When indicating parts by reference number, please include the board name.

- Due to standardization, replacements in the parts list may be different from the parts specified in the diagrams or the components used on the set.
- Items marked “* ” are not stocked since they are seldom required for routine service. Some delay should be anticipated when ordering these items.
- RESISTORS
All resistors are in ohms
F : nonflammable
- SEMICONDUCTORS
In each case, u: μ , for example:
uA...: μ A..., uPA...: μ PA..., uPB...: μ PB...,
uPC...: μ PC..., uPD...: μ PD...
- CAPACITORS
uF : μ F
- COILS
uH : μ H
- Abbreviations
CND : Canadian model
CH : Chinese model

1. Malaysia production model

- There is no changeability between the following boards which made in Japan and Malaysia.
Referring to “How to identify production ...” (page 1), use the appropriate boards.
Therefore, Refer to the service manual for the information which is not contained in this service manual.

Difference between productions made in Japan and Malaysia

BOARD	Made in Japan	Made in Malaysia
AUDIO INPUT	* A-4371-324-A	* A-4377-315-A
DISPLAY	* A-4371-301-A (US, CND)	* A-4377-306-A (US, CND)
	* A-4371-302-A (E)	* A-4377-443-A (E)
MAIN AMPLIFIER	* A-4371-333-A (US, E)	* A-4377-302-A (US, E)
	* A-4371-334-A (CND)	* A-4377-303-A (CND)
POWER SUPPLY	* A-4371-310-A (US, CND)	* A-4377-313-A (US, CND)
	* A-4371-328-A (E)	* A-4377-444-A (E)
SP. TERMINAL	* A-4371-336-A	* A-4377-286-A
SURROUND	* A-4371-330-A (US, CND)	* A-4377-301-A (US, CND)
	* A-4371-331-A (E)	* A-4377-445-A (E)
VIDEO INPUT	* A-4371-335-A	* A-4377-285-A

EXPLODED VIEWS

- There followings shows differences between productions made in Japan and Malaysia.
Referring to “How to identify production ...” (page 1), use the appropriate parts.

Page	Made in Japan	Made in Malaysia
	<u>Ref. No.</u> <u>Part No.</u> <u>Description</u>	<u>Ref. No.</u> <u>Part No.</u> <u>Description</u>
43	3 X-4942-296-1 KNOB ASSY	3 4-949-659-01 KNOB (VOL-NEW)
	4 4-908-097-21 KNOB	4 4-957-383-01 KNOB (F14)
	* 9 A-4371-301-A DISPLAY BOARD, COMPLETE (US, CND)	* 9 A-4377-306-A DISPLAY BOARD, COMPLETE (US, CND)
	* 9 A-4371-302-A DISPLAY BOARD, COMPLETE (E)	* 9 A-4377-443-A DISPLAY BOARD, COMPLETE (E)
	13 4-956-885-01 FOOT (F58175S2W)	13 X-4941-291-1 FOOT ASSY (F58175S)
44	Δ 51 1-575-975-11 CORD, POWER (US, CND)	Δ 51 1-690-609-21 CORD, POWER (US, CND)
	Δ 51 1-590-074-11 CORD, POWER (E)	Δ 51 1-575-653-11 CORD, POWER (E)
	* 53 3-703-244-00 BUSHING (2104), CORD	* 53 3-703-571-11 BUSHING (S) (4516), CORD
	* 55 A-4371-336-A SP. TERMINAL BOARD, COMPLETE	* 55 A-4377-286-A SP. TERMINAL BOARD, COMPLETE
	* 58 4-966-945-01 PANEL, BACK (US)	* 58 4-971-863-01 PANEL, BACK (US)
	* 58 4-966-945-11 PANEL, BACK (CND)	* 58 4-971-863-11 PANEL, BACK (CND)
	* 58 4-966-945-21 PANEL, BACK (E)	* 58 4-971-863-21 PANEL, BACK (E)
	* 59 A-4371-324-A AUDIO INPUT BOARD, COMPLETE	* 59 A-4377-315-A AUDIO INPUT BOARD, COMPLETE
	* 61 A-4371-335-A VIDEO INPUT BOARD, COMPLETE	* 61 A-4377-285-A VIDEO INPUT BOARD, COMPLETE
	* 66 A-4371-330-A SURROUND BOARD, COMPLETE (US, CND)	* 66 A-4377-301-A SURROUND BOARD, COMPLETE (US, CND)
	* 66 A-4371-331-A SURROUND BOARD, COMPLETE (E)	* 66 A-4377-445-A SURROUND BOARD, COMPLETE (E)

Page	Made in Japan	Made in Malaysia																														
45	<table border="1"> <thead> <tr> <th>Ref. No.</th> <th>Part No.</th> <th>Description</th> </tr> </thead> <tbody> <tr> <td>* 104</td> <td>A-4371-333-A</td> <td>MAIN AMPLIFIER BOARD, COMPLETE (US, E)</td> </tr> <tr> <td>* 104</td> <td>A-4371-334-A</td> <td>MAIN AMPLIFIER BOARD, COMPLETE (CND)</td> </tr> <tr> <td>* 108</td> <td>A-4371-310-A</td> <td>POWER SUPPLY BOARD, COMPLETE (US, CND)</td> </tr> <tr> <td>* 108</td> <td>A-4371-328-A</td> <td>POWER SUPPLY BOARD, COMPLETE (E)</td> </tr> </tbody> </table>	Ref. No.	Part No.	Description	* 104	A-4371-333-A	MAIN AMPLIFIER BOARD, COMPLETE (US, E)	* 104	A-4371-334-A	MAIN AMPLIFIER BOARD, COMPLETE (CND)	* 108	A-4371-310-A	POWER SUPPLY BOARD, COMPLETE (US, CND)	* 108	A-4371-328-A	POWER SUPPLY BOARD, COMPLETE (E)	<table border="1"> <thead> <tr> <th>Ref. No.</th> <th>Part No.</th> <th>Description</th> </tr> </thead> <tbody> <tr> <td>* 104</td> <td>A-4377-302-A</td> <td>MAIN AMPLIFIER BOARD, COMPLETE (US, E, CH)</td> </tr> <tr> <td>* 104</td> <td>A-4377-303-A</td> <td>MAIN AMPLIFIER BOARD, COMPLETE (CND)</td> </tr> <tr> <td>* 108</td> <td>A-4377-313-A</td> <td>POWER SUPPLY BOARD, COMPLETE (US, CND)</td> </tr> <tr> <td>* 108</td> <td>A-4377-444-A</td> <td>POWER SUPPLY BOARD, COMPLETE (E)</td> </tr> </tbody> </table>	Ref. No.	Part No.	Description	* 104	A-4377-302-A	MAIN AMPLIFIER BOARD, COMPLETE (US, E, CH)	* 104	A-4377-303-A	MAIN AMPLIFIER BOARD, COMPLETE (CND)	* 108	A-4377-313-A	POWER SUPPLY BOARD, COMPLETE (US, CND)	* 108	A-4377-444-A	POWER SUPPLY BOARD, COMPLETE (E)
Ref. No.	Part No.	Description																														
* 104	A-4371-333-A	MAIN AMPLIFIER BOARD, COMPLETE (US, E)																														
* 104	A-4371-334-A	MAIN AMPLIFIER BOARD, COMPLETE (CND)																														
* 108	A-4371-310-A	POWER SUPPLY BOARD, COMPLETE (US, CND)																														
* 108	A-4371-328-A	POWER SUPPLY BOARD, COMPLETE (E)																														
Ref. No.	Part No.	Description																														
* 104	A-4377-302-A	MAIN AMPLIFIER BOARD, COMPLETE (US, E, CH)																														
* 104	A-4377-303-A	MAIN AMPLIFIER BOARD, COMPLETE (CND)																														
* 108	A-4377-313-A	POWER SUPPLY BOARD, COMPLETE (US, CND)																														
* 108	A-4377-444-A	POWER SUPPLY BOARD, COMPLETE (E)																														

ELECTRICAL PARTS LIST

Page	Made in Japan	Made in Malaysia																																							
46	<table border="1"> <thead> <tr> <th>Ref. No.</th> <th>Part No.</th> <th>Description</th> </tr> </thead> <tbody> <tr> <td>*</td> <td>A-4371-324-A</td> <td>AUDIO INPUT BOARD, COMPLETE ***** (INCLUDING AUDIO (A) BOARD, AUDIO JOINT BOARD, AUDIO (V) BOARD)</td> </tr> </tbody> </table>	Ref. No.	Part No.	Description	*	A-4371-324-A	AUDIO INPUT BOARD, COMPLETE ***** (INCLUDING AUDIO (A) BOARD, AUDIO JOINT BOARD, AUDIO (V) BOARD)	<table border="1"> <thead> <tr> <th>Ref. No.</th> <th>Part No.</th> <th>Description</th> </tr> </thead> <tbody> <tr> <td>*</td> <td>A-4377-315-A</td> <td>AUDIO INPUT BOARD, COMPLETE ***** (INCLUDING AUDIO (A) BOARD, AUDIO JOINT BOARD, AUDIO (V) BOARD)</td> </tr> </tbody> </table>	Ref. No.	Part No.	Description	*	A-4377-315-A	AUDIO INPUT BOARD, COMPLETE ***** (INCLUDING AUDIO (A) BOARD, AUDIO JOINT BOARD, AUDIO (V) BOARD)																											
Ref. No.	Part No.	Description																																							
*	A-4371-324-A	AUDIO INPUT BOARD, COMPLETE ***** (INCLUDING AUDIO (A) BOARD, AUDIO JOINT BOARD, AUDIO (V) BOARD)																																							
Ref. No.	Part No.	Description																																							
*	A-4377-315-A	AUDIO INPUT BOARD, COMPLETE ***** (INCLUDING AUDIO (A) BOARD, AUDIO JOINT BOARD, AUDIO (V) BOARD)																																							
47	<table border="1"> <tbody> <tr> <td>*</td> <td>A-4371-301-A</td> <td>DISPLAY BOARD, COMPLETE (US, CND) *****</td> </tr> <tr> <td>*</td> <td>A-4371-302-A</td> <td>DISPLAY BOARD, COMPLETE (E) *****</td> </tr> </tbody> </table>	*	A-4371-301-A	DISPLAY BOARD, COMPLETE (US, CND) *****	*	A-4371-302-A	DISPLAY BOARD, COMPLETE (E) *****	<table border="1"> <tbody> <tr> <td>*</td> <td>A-4377-306-A</td> <td>DISPLAY BOARD, COMPLETE (US, CND) *****</td> </tr> <tr> <td>*</td> <td>A-4377-443-A</td> <td>DISPLAY BOARD, COMPLETE (E) *****</td> </tr> </tbody> </table>	*	A-4377-306-A	DISPLAY BOARD, COMPLETE (US, CND) *****	*	A-4377-443-A	DISPLAY BOARD, COMPLETE (E) *****																											
*	A-4371-301-A	DISPLAY BOARD, COMPLETE (US, CND) *****																																							
*	A-4371-302-A	DISPLAY BOARD, COMPLETE (E) *****																																							
*	A-4377-306-A	DISPLAY BOARD, COMPLETE (US, CND) *****																																							
*	A-4377-443-A	DISPLAY BOARD, COMPLETE (E) *****																																							
48	<table border="1"> <tbody> <tr> <td>*</td> <td>A-4371-333-A</td> <td>MAIN AMPLIFIER BOARD, COMPLETE ***** (US, E)</td> </tr> <tr> <td>*</td> <td>A-4371-334-A</td> <td>MAIN AMPLIFIER BOARD, COMPLETE ***** (CND)</td> </tr> <tr> <td></td> <td>4-969-002-01</td> <td>SPACER (DIA. 29)</td> </tr> </tbody> </table>	*	A-4371-333-A	MAIN AMPLIFIER BOARD, COMPLETE ***** (US, E)	*	A-4371-334-A	MAIN AMPLIFIER BOARD, COMPLETE ***** (CND)		4-969-002-01	SPACER (DIA. 29)	<table border="1"> <tbody> <tr> <td>*</td> <td>A-4377-302-A</td> <td>MAIN AMPLIFIER BOARD, COMPLETE ***** (US, E)</td> </tr> <tr> <td>*</td> <td>A-4377-303-A</td> <td>MAIN AMPLIFIER BOARD, COMPLETE ***** (CND)</td> </tr> <tr> <td></td> <td>4-970-497-01</td> <td>SPACER (29)</td> </tr> </tbody> </table>	*	A-4377-302-A	MAIN AMPLIFIER BOARD, COMPLETE ***** (US, E)	*	A-4377-303-A	MAIN AMPLIFIER BOARD, COMPLETE ***** (CND)		4-970-497-01	SPACER (29)																					
*	A-4371-333-A	MAIN AMPLIFIER BOARD, COMPLETE ***** (US, E)																																							
*	A-4371-334-A	MAIN AMPLIFIER BOARD, COMPLETE ***** (CND)																																							
	4-969-002-01	SPACER (DIA. 29)																																							
*	A-4377-302-A	MAIN AMPLIFIER BOARD, COMPLETE ***** (US, E)																																							
*	A-4377-303-A	MAIN AMPLIFIER BOARD, COMPLETE ***** (CND)																																							
	4-970-497-01	SPACER (29)																																							
51	<table border="1"> <tbody> <tr> <td>*</td> <td>A-4371-310-A</td> <td>POWER SUPPLY BOARD, COMPLETE ***** (US, CND)</td> </tr> <tr> <td>*</td> <td>A-4371-328-A</td> <td>POWER SUPPLY BOARD, COMPLETE (E) *****</td> </tr> <tr> <td></td> <td>C950 1-124-557-11</td> <td>ELECT 1000uF 20% 25V</td> </tr> </tbody> </table>	*	A-4371-310-A	POWER SUPPLY BOARD, COMPLETE ***** (US, CND)	*	A-4371-328-A	POWER SUPPLY BOARD, COMPLETE (E) *****		C950 1-124-557-11	ELECT 1000uF 20% 25V	<table border="1"> <tbody> <tr> <td>*</td> <td>A-4377-313-A</td> <td>POWER SUPPLY BOARD, COMPLETE ***** (US, CND)</td> </tr> <tr> <td>*</td> <td>A-4377-444-A</td> <td>POWER SUPPLY BOARD, COMPLETE (E) *****</td> </tr> <tr> <td></td> <td>C950 1-126-942-61</td> <td>ELECT 1000uF 20% 25V</td> </tr> </tbody> </table>	*	A-4377-313-A	POWER SUPPLY BOARD, COMPLETE ***** (US, CND)	*	A-4377-444-A	POWER SUPPLY BOARD, COMPLETE (E) *****		C950 1-126-942-61	ELECT 1000uF 20% 25V																					
*	A-4371-310-A	POWER SUPPLY BOARD, COMPLETE ***** (US, CND)																																							
*	A-4371-328-A	POWER SUPPLY BOARD, COMPLETE (E) *****																																							
	C950 1-124-557-11	ELECT 1000uF 20% 25V																																							
*	A-4377-313-A	POWER SUPPLY BOARD, COMPLETE ***** (US, CND)																																							
*	A-4377-444-A	POWER SUPPLY BOARD, COMPLETE (E) *****																																							
	C950 1-126-942-61	ELECT 1000uF 20% 25V																																							
52	<table border="1"> <tbody> <tr> <td>*</td> <td>A-4371-336-A</td> <td>SP. TERMINAL BOARD, COMPLETE ***** (INCLUDING SPEAKER (F) BOARD, SPEAKER JOINT BOARD, SPEAKER (C) BOARD)</td> </tr> </tbody> </table>	*	A-4371-336-A	SP. TERMINAL BOARD, COMPLETE ***** (INCLUDING SPEAKER (F) BOARD, SPEAKER JOINT BOARD, SPEAKER (C) BOARD)	<table border="1"> <tbody> <tr> <td>*</td> <td>A-4377-286-A</td> <td>SP. TERMINAL BOARD, COMPLETE ***** (INCLUDING SPEAKER (F) BOARD, SPEAKER JOINT BOARD, SPEAKER (C) BOARD)</td> </tr> </tbody> </table>	*	A-4377-286-A	SP. TERMINAL BOARD, COMPLETE ***** (INCLUDING SPEAKER (F) BOARD, SPEAKER JOINT BOARD, SPEAKER (C) BOARD)																																	
*	A-4371-336-A	SP. TERMINAL BOARD, COMPLETE ***** (INCLUDING SPEAKER (F) BOARD, SPEAKER JOINT BOARD, SPEAKER (C) BOARD)																																							
*	A-4377-286-A	SP. TERMINAL BOARD, COMPLETE ***** (INCLUDING SPEAKER (F) BOARD, SPEAKER JOINT BOARD, SPEAKER (C) BOARD)																																							
53	<table border="1"> <tbody> <tr> <td>*</td> <td>A-4371-330-A</td> <td>SURROUND BOARD, COMPLETE (US, CND) *****</td> </tr> <tr> <td>*</td> <td>A-4371-331-A</td> <td>SURROUND BOARD, COMPLETE (E) *****</td> </tr> </tbody> </table>	*	A-4371-330-A	SURROUND BOARD, COMPLETE (US, CND) *****	*	A-4371-331-A	SURROUND BOARD, COMPLETE (E) *****	<table border="1"> <tbody> <tr> <td>*</td> <td>A-4377-301-A</td> <td>SURROUND BOARD, COMPLETE (US, CND) *****</td> </tr> <tr> <td>*</td> <td>A-4377-445-A</td> <td>SURROUND BOARD, COMPLETE (E) *****</td> </tr> </tbody> </table>	*	A-4377-301-A	SURROUND BOARD, COMPLETE (US, CND) *****	*	A-4377-445-A	SURROUND BOARD, COMPLETE (E) *****																											
*	A-4371-330-A	SURROUND BOARD, COMPLETE (US, CND) *****																																							
*	A-4371-331-A	SURROUND BOARD, COMPLETE (E) *****																																							
*	A-4377-301-A	SURROUND BOARD, COMPLETE (US, CND) *****																																							
*	A-4377-445-A	SURROUND BOARD, COMPLETE (E) *****																																							
56	<table border="1"> <tbody> <tr> <td></td> <td>** TRANSFORMER TERMINAL (2) BOARD **</td> <td></td> </tr> <tr> <td></td> <td>RY951 1-515-894-11</td> <td>RELAY (US, E)</td> </tr> <tr> <td>*</td> <td>A-4371-335-A</td> <td>VIDEO INPUT BOARD, COMPLETE *****</td> </tr> </tbody> </table>		** TRANSFORMER TERMINAL (2) BOARD **			RY951 1-515-894-11	RELAY (US, E)	*	A-4371-335-A	VIDEO INPUT BOARD, COMPLETE *****	<table border="1"> <tbody> <tr> <td></td> <td>** TRANSFORMER TERMINAL (2) BOARD **</td> <td></td> </tr> <tr> <td></td> <td>RY951 1-755-026-11</td> <td>RELAY (US, E)</td> </tr> <tr> <td>*</td> <td>A-4377-285-A</td> <td>VIDEO INPUT BOARD, COMPLETE *****</td> </tr> </tbody> </table>		** TRANSFORMER TERMINAL (2) BOARD **			RY951 1-755-026-11	RELAY (US, E)	*	A-4377-285-A	VIDEO INPUT BOARD, COMPLETE *****																					
	** TRANSFORMER TERMINAL (2) BOARD **																																								
	RY951 1-515-894-11	RELAY (US, E)																																							
*	A-4371-335-A	VIDEO INPUT BOARD, COMPLETE *****																																							
	** TRANSFORMER TERMINAL (2) BOARD **																																								
	RY951 1-755-026-11	RELAY (US, E)																																							
*	A-4377-285-A	VIDEO INPUT BOARD, COMPLETE *****																																							
57	<table border="1"> <tbody> <tr> <td></td> <td>ACCESSORIES & PACKING MATERIALS *****</td> <td></td> </tr> <tr> <td></td> <td>3-758-873-11</td> <td>MANUAL, INSTRUCTION (ENGLISH, FRENCH, SPANISH, CHINESE) (E)</td> </tr> <tr> <td></td> <td>3-758-873-21</td> <td>MANUAL, INSTRUCTION (ENGLISH) (US, CND)</td> </tr> <tr> <td></td> <td>3-758-873-31</td> <td>MANUAL, INSTRUCTION (FRENCH) (CND)</td> </tr> <tr> <td>*</td> <td>4-933-001-01</td> <td>CUSHION</td> </tr> <tr> <td>*</td> <td>4-967-070-01</td> <td>INDIVIDUAL CARTON</td> </tr> </tbody> </table>		ACCESSORIES & PACKING MATERIALS *****			3-758-873-11	MANUAL, INSTRUCTION (ENGLISH, FRENCH, SPANISH, CHINESE) (E)		3-758-873-21	MANUAL, INSTRUCTION (ENGLISH) (US, CND)		3-758-873-31	MANUAL, INSTRUCTION (FRENCH) (CND)	*	4-933-001-01	CUSHION	*	4-967-070-01	INDIVIDUAL CARTON	<table border="1"> <tbody> <tr> <td></td> <td>ACCESSORIES & PACKING MATERIALS *****</td> <td></td> </tr> <tr> <td></td> <td>3-798-563-11</td> <td>MANUAL, INSTRUCTION (ENGLISH, FRENCH, SPANISH, CHINESE) (E)</td> </tr> <tr> <td></td> <td>3-798-563-21</td> <td>MANUAL, INSTRUCTION (ENGLISH) (US, CND)</td> </tr> <tr> <td></td> <td>3-798-563-31</td> <td>MANUAL, INSTRUCTION (FRENCH) (CND)</td> </tr> <tr> <td></td> <td>3-798-563-41</td> <td>MANUAL, INSTRUCTION (ENGLISH, FRENCH, SPANISH, CHINESE) (CH)</td> </tr> <tr> <td>*</td> <td>4-972-386-01</td> <td>CUSHION</td> </tr> <tr> <td>*</td> <td>4-972-387-01</td> <td>INDIVIDUAL CARTON</td> </tr> </tbody> </table>		ACCESSORIES & PACKING MATERIALS *****			3-798-563-11	MANUAL, INSTRUCTION (ENGLISH, FRENCH, SPANISH, CHINESE) (E)		3-798-563-21	MANUAL, INSTRUCTION (ENGLISH) (US, CND)		3-798-563-31	MANUAL, INSTRUCTION (FRENCH) (CND)		3-798-563-41	MANUAL, INSTRUCTION (ENGLISH, FRENCH, SPANISH, CHINESE) (CH)	*	4-972-386-01	CUSHION	*	4-972-387-01	INDIVIDUAL CARTON
	ACCESSORIES & PACKING MATERIALS *****																																								
	3-758-873-11	MANUAL, INSTRUCTION (ENGLISH, FRENCH, SPANISH, CHINESE) (E)																																							
	3-758-873-21	MANUAL, INSTRUCTION (ENGLISH) (US, CND)																																							
	3-758-873-31	MANUAL, INSTRUCTION (FRENCH) (CND)																																							
*	4-933-001-01	CUSHION																																							
*	4-967-070-01	INDIVIDUAL CARTON																																							
	ACCESSORIES & PACKING MATERIALS *****																																								
	3-798-563-11	MANUAL, INSTRUCTION (ENGLISH, FRENCH, SPANISH, CHINESE) (E)																																							
	3-798-563-21	MANUAL, INSTRUCTION (ENGLISH) (US, CND)																																							
	3-798-563-31	MANUAL, INSTRUCTION (FRENCH) (CND)																																							
	3-798-563-41	MANUAL, INSTRUCTION (ENGLISH, FRENCH, SPANISH, CHINESE) (CH)																																							
*	4-972-386-01	CUSHION																																							
*	4-972-387-01	INDIVIDUAL CARTON																																							

2. Model Addition (Chinese model)

- For detailed Chinese model, refer to E model.

Difference Table

EXPLODED VIEWS

Page	E model			Chinese model		
	Ref.No.	Part No.	Description	Ref.No.	Part No.	Description
43	3 4 * 9 13	X-4942-296-1 4-908-097-21 A-4371-302-A 4-956-885-01	KNOB ASSY KNOB DISPLAY BOARD, COMPLETE FOOT (F58175S2W)	3 4 * 9 13	4-949-659-01 4-957-383-01 A-4378-038-A X-4941-291-1	KNOB (VOL-NEW) KNOB (F14) DISPLAY BOARD, COMPLETE FOOT ASSY (F58175S)
44	△51 △54 * 55 * 58 * 59 * 61 * 66	1-590-074-11 A-4371-336-A 4-966-945-21 A-4371-324-A A-4371-335-A A-4371-331-A	CORD, POWER SP. TERMINAL BOARD, COMPLETE PANEL, BACK AUDIO INPUT BOARD, COMPLETE VIDEO INPUT BOARD, COMPLETE SURROUND BOARD, COMPLETE	△51 △54 * 55 * 58 * 59 * 61 * 66	1-575-651-11 1-769-078-31 A-4378-036-A 4-971-863-31 A-4377-315-A A-4377-285-A A-4378-307-A	CORD, POWER LEAD (WITH CONNECTOR) (2 CORE) SP. TERMINAL BOARD, COMPLETE PANEL, BACK AUDIO INPUT BOARD, COMPLETE VIDEO INPUT BOARD, COMPLETE SURROUND BOARD, COMPLETE
45	* 104 * 108 △F903 △F904 △T902	A-4371-333-A A-4371-328-A 1-532-350-00 1-426-882-11	MAIN AMPLIFIER BOARD, COMPLETE POWER SUPPLY BOARD, COMPLETE TIME LAG FUSE (T4AL 250V) TRANSFORMER, POWER	* 104 * 108 △F903 △F904 △T902	A-4377-302-A A-4378-039-A 1-532-286-00 1-427-931-11	MAIN AMPLIFIER BOARD, COMPLETE POWER SUPPLY BOARD, COMPLETE FUSE (T2.5AL 250V) TRANSFORMER, POWER
	<p>(E model)</p> <p>Components identified by marked line with mark △ are critical for safety. Replace only with part number</p>			<p>(E model)</p> <p>108 (Chinese model)</p> <p>Components identified by marked line with mark △ are critical for safety. Replace only with part number</p>		

The components identified by mark △ or dotted line with mark △ are critical for safety. Replace only with part number specified.

Les composants identifiés par une marque △ sont critiques pour la sécurité. Ne les remplacer que par une pièce portant le numéro spécifié.

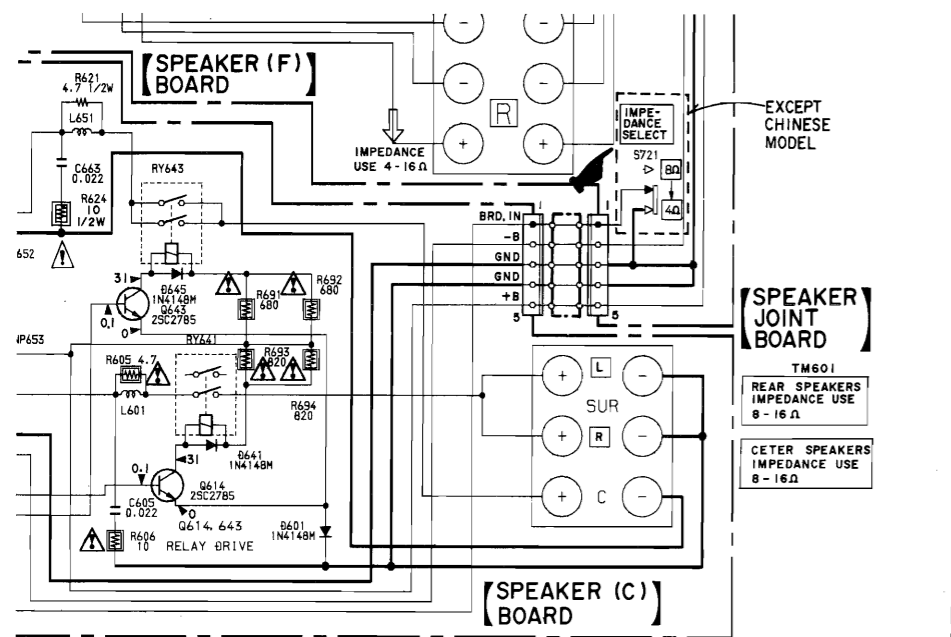
The components identified by mark Δ or dotted line with mark Δ are critical for safety. Replace only with part number specified.	Les composants identifiés par une marque Δ sont critiques pour la sécurité. Ne les remplacer que par une pièce portant le numéro spécifié.
---	--

ELECTRICAL PARTS LIST

Page	E model	Chinese model
	Ref.No. Part No. Description	Ref.No. Part No. Description
46	* A-4371-324-A AUDIO INPUT BOARD, COMPLETE *****	* A-4377-315-A AUDIO INPUT BOARD, COMPLETE *****
47	* A-4371-302-A DISPLAY BOARD, COMPLETE ***** D135	* A-4378-038-A DISPLAY BOARD, COMPLETE ***** D135 8-719-987-63 DIODE 1N4148M
48	* A-4371-333-A MAIN AMPLIFIER BOARD, COMPLETE *****	* A-4377-302-A MAIN AMPLIFIER BOARD, COMPLETE *****
51	* A-4371-328-A POWER SUPPLY BOARD, COMPLETE ***** C950 1-124-557-11 ELECT 1000uF 20% 25V CNP903 1-568-106-11 PIN, CONNECTOR 4P CNP905 Δ CNS901 1-540-060-11 OUTLET, AC (POLAR) (AC OUTLET) Δ F903 Δ F904 1-532-350-00 TIME LAG FUSE (T4AL 250V) Q953 8-729-209-15 TRANSISTOR 2SD2012	* A-4378-039-A POWER SUPPLY BOARD, COMPLETE ***** C950 1-126-942-61 ELECT 1000uF 20% 25V CNP903 CNP905 1-580-230-11 PIN, CONNECTOR (PC BOARD) 2P Δ CNS901 1-526-794-11 OUTLET, AC (AC OUTLET) Δ F903 1-532-286-00 FUSE (T2.5AL 250V) Δ F904 Q953 8-729-030-18 TRANSISTOR 2SD2525
52	** POWER SUPPLY BOARD ** Δ VS901 1-571-437-11 SWITCH, TACTILE (POWER ON/STANDBY) * A-4371-336-A SP. TERMINAL BOARD, COMPLETE ***** ** SPEAKER (F) BOARD ** S721 1-692-196-11 SWITCH, SLIDE (IMPEDANCE SELECT)	** POWER SUPPLY BOARD ** Δ VS901 * A-4378-036-A SP. TERMINAL BOARD, COMPLETE ***** ** SPEAKER (F) BOARD ** S721
53	TM601 1-537-754-11 TERMINAL BOARD (6P) (REAR/CENTER SPEAKERS) * TM701 1-537-519-11 TERMINAL BOARD (SP) (FRONT SPEAKERS) * A-4371-331-A SURROUND BOARD, COMPLETE *****	TM601 1-537-755-11 TERMINAL BOARD (6P) (REAR/CENTER SPEAKERS) * TM701 1-537-766-11 TERMINAL BOARD (SP) (FRONT SPEAKERS) * A-4378-037-A SURROUND BOARD, COMPLETE *****
55	TM201 1-537-769-11 TERMINAL BOARD	TM201 1-537-488-11 TERMINAL BOARD (ANT)
56	** TRANSFORMER TERMINAL (1-2) BOARD ** CNP973 ** TRANSFORMER TERMINAL (2) BOARD ** RY951 1-515-894-11 RELAY * A-4371-335-A VIDEO INPUT BOARD, COMPLETE *****	* 1-652-998-11 TRANSFORMER TERMINAL (1-1) BOARD ***** ** TRANSFORMER TERMINAL (1-2) BOARD ** CNP973 1-564-321-00 PIN, CONNECTOR 2P ** TRANSFORMER TERMINAL (2) BOARD ** RY951 1-755-026-11 RELAY * A-4377-285-A VIDEO INPUT BOARD, COMPLETE *****
57	MISCELLANEOUS ***** Δ 51 1-590-074-11 CORD, POWER Δ 54 Δ CNS901 1-540-060-11 OUTLET, AC (POLAR) (AC OUTLET) Δ F903 Δ F904 1-532-350-00 TIME LAG FUSE (T4AL 250V) Δ T902 1-426-882-11 TRANSFORMER, POWER	MISCELLANEOUS ***** Δ 51 1-575-651-11 CORD, POWER Δ 54 1-769-078-31 LEAD (WITH CONNECTOR) (2 CORE) Δ CNS901 1-526-794-11 OUTLET, AC (AC OUTLET) Δ F903 1-532-286-00 FUSE (T2.5AL 250V) Δ F904 Δ T902 1-427-931-11 TRANSFORMER, POWER

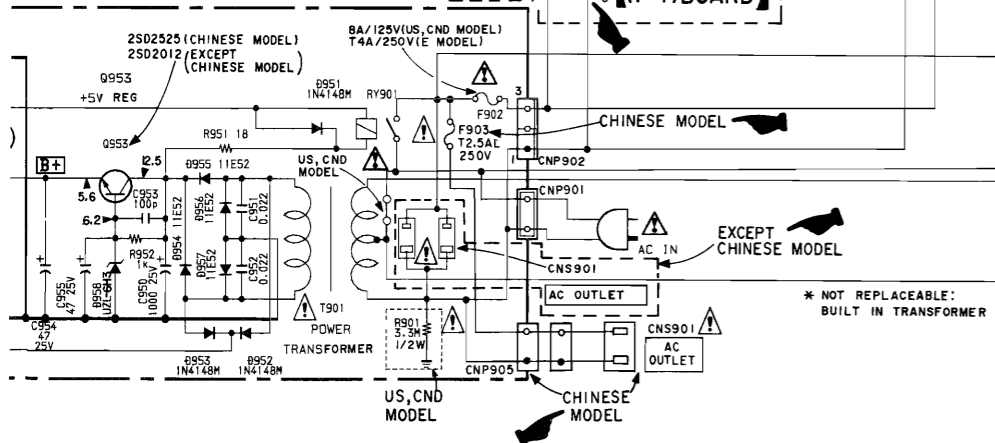
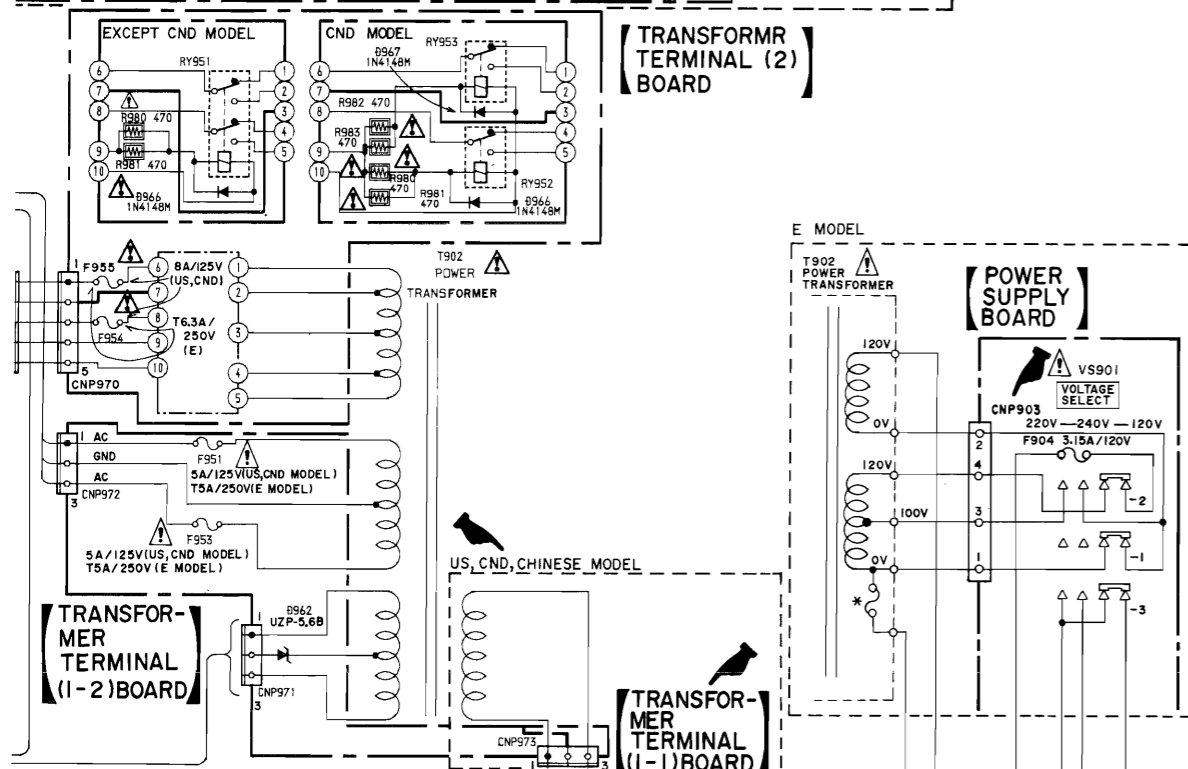
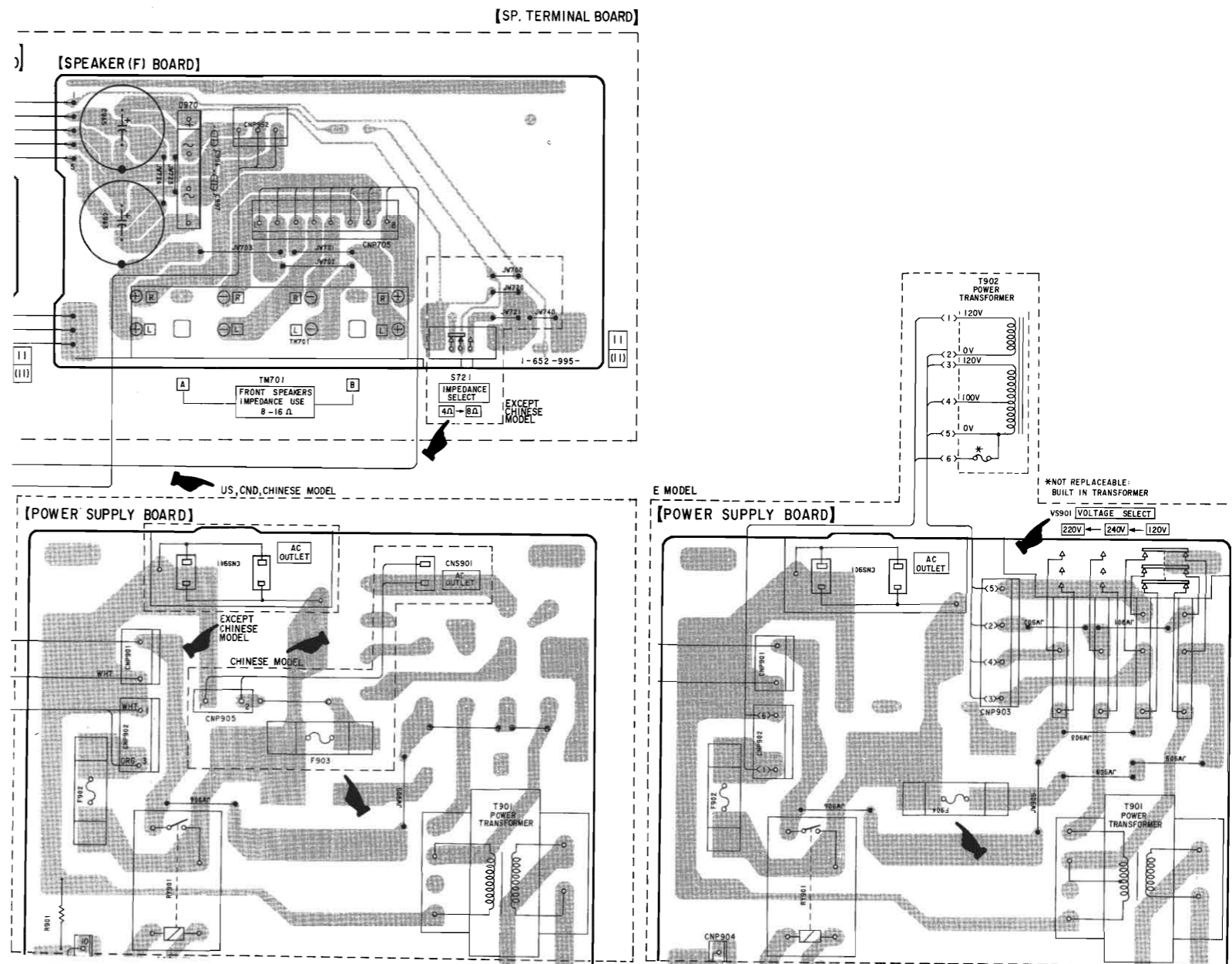
SCHEMATIC DIAGRAM (See page 27, 28)

Difference portion



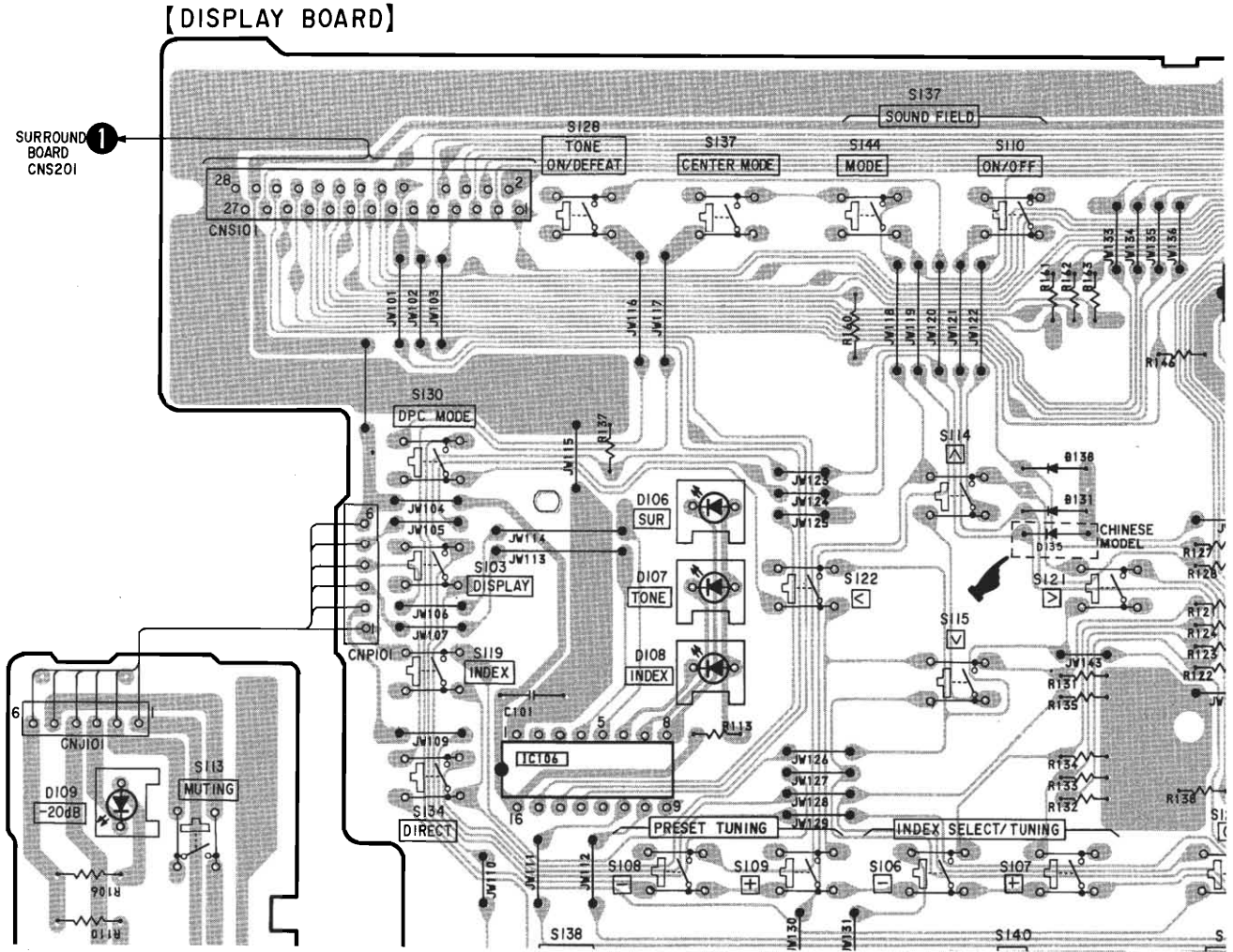
PRINTED WIRING BOARD (See page 32, 33)

Difference portion



PRINTED WIRING BOARD (See page 34, 35)

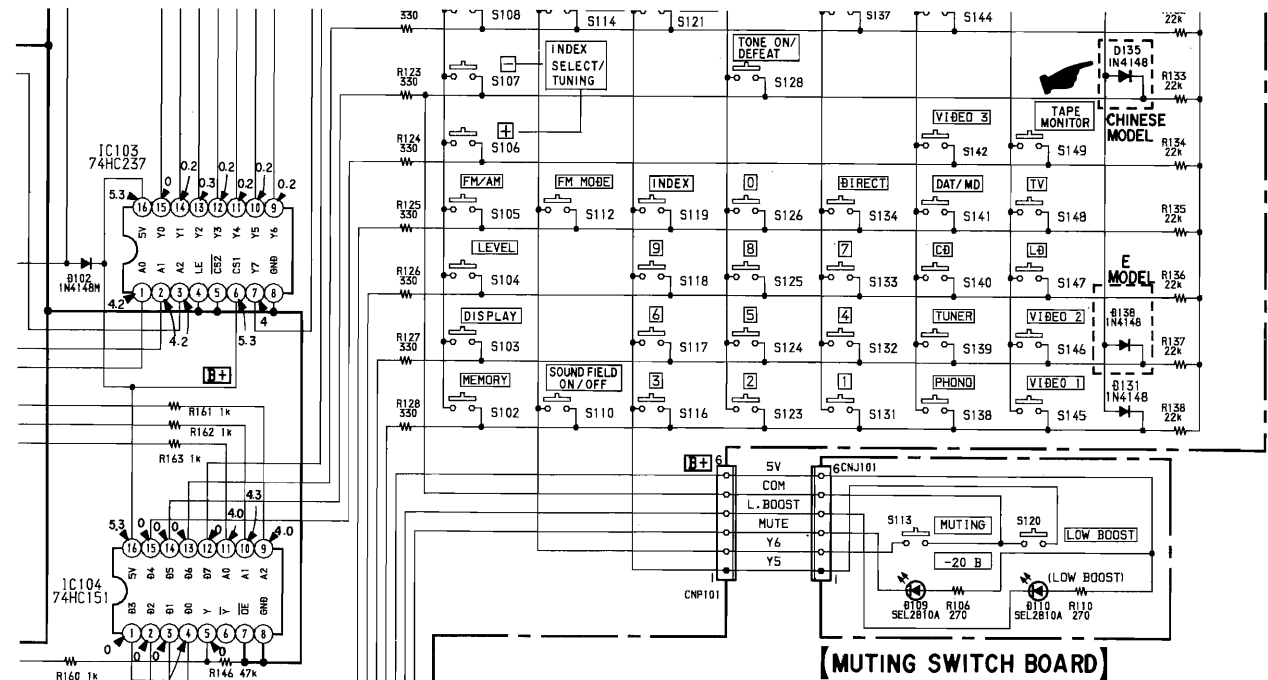
👉 : Difference portion



SCHEMATIC DIAGRAM (See page 38)

👉 : Difference portion

[DISPLAY BOARD]



3. Circuit and Parts changed (For Japan production)

Change of parts for Japan production.

Page	FORMER						NEW					
	Ref.No.	Part No.	Description				Ref.No.	Part No.	Description			
43	13	X-4942-706-1	FOOT (58175) ASSY				13	4-956-885-01	FOOT (F58175S2W)			
46	** AUDIO INPUT BOARD **						** AUDIO INPUT BOARD **					
	C502	1-124-927-11	ELECT	4.7uF	20%	100V	C502	1-126-963-11	ELECT	4.7uF	20%	50V
	C552	1-124-927-11	ELECT	4.7uF	20%	100V	C552	1-126-963-11	ELECT	4.7uF	20%	50V
47	** DISPLAY BOARD **						** DISPLAY BOARD **					
	C101	1-161-379-00	CERAMIC	0.01uF	20%	25V	C101	1-162-306-11	CERAMIC	0.01uF	30%	16V
	C104	1-124-477-11	ELECT	47uF	20%	25V	C104	1-104-664-11	ELECT	47uF	20%	16V
	C105	1-161-379-00	CERAMIC	0.01uF	20%	25V	C105	1-162-306-11	CERAMIC	0.01uF	30%	16V
	C110	1-161-379-00	CERAMIC	0.01uF	20%	25V	C110	1-162-306-11	CERAMIC	0.01uF	30%	16V
48	R109	1-247-887-00	CARBON	220K	5%	1/4W	R109	1-249-441-11	CARBON	100K	5%	1/4W
49	** MAIN AMPLIFIER BOARD **						** MAIN AMPLIFIER BOARD **					
	C651	1-124-927-11	ELECT	4.7uF	20%	100V	C651	1-126-963-11	ELECT	4.7uF	20%	50V
	C652	1-164-079-11	CERAMIC	330PF	10%	50V	C652	1-102-112-00	CERAMIC	330PF	10%	50V
	C657	1-164-040-11	CERAMIC	4PF	0.25PF	50V	C657	1-102-937-00	CERAMIC	4PF	0.25PF	50V
	C701	1-124-927-11	ELECT	4.7uF	20%	100V	C701	1-126-963-11	ELECT	4.7uF	20%	50V
	C702	1-164-079-11	CERAMIC	330PF	10%	50V	C702	1-102-112-00	CERAMIC	330PF	10%	50V
	C707	1-164-040-11	CERAMIC	4PF	0.25PF	50V	C707	1-102-937-00	CERAMIC	4PF	0.25PF	50V
	C751	1-124-927-11	ELECT	4.7uF	20%	100V	C751	1-126-963-11	ELECT	4.7uF	20%	50V
	C752	1-164-079-11	CERAMIC	330PF	10%	50V	C752	1-102-112-00	CERAMIC	330PF	10%	50V
	C757	1-164-040-11	CERAMIC	4PF	0.25PF	50V	C757	1-102-937-00	CERAMIC	4PF	0.25PF	50V
	IC651	8-749-010-16	IC	STK350-130A			IC651	8-749-011-16	IC	STK350-230		
50	\triangle R747	1-249-415-11	CARBON	680	5%	1/4W F	\triangle R747	1-249-405-11	CARBON	100	5%	1/4W F
	\triangle R748	1-249-415-11	CARBON	680	5%	1/4W F						
51	** POWER SUPPLY BOARD **						** POWER SUPPLY BOARD **					
	C953	1-164-073-11	CERAMIC	100PF	10%	50V	C953	1-102-106-00	CERAMIC	100PF	10%	50V
52	** REAR AMPLIFIER (S) BOARD **						** REAR AMPLIFIER (S) BOARD **					
	C621	1-124-927-11	ELECT	4.7uF	20%	100V	C621	1-126-963-11	ELECT	4.7uF	20%	50V
	C622	1-164-073-11	CERAMIC	100PF	10%	50V	C622	1-102-106-00	CERAMIC	100PF	10%	50V
	C623	1-164-073-11	CERAMIC	100PF	10%	50V	C623	1-102-106-00	CERAMIC	100PF	10%	50V
	C699	1-124-929-11	ELECT	22uF	20%	100V	C696	1-102-074-00	CERAMIC	0.001uF	10%	50V
	IC631	8-759-295-87	IC	SI-18752-LM			C697	1-102-074-00	CERAMIC	0.001uF	10%	50V
	** SP. TERMINAL BOARD, COMPLETE **						** SP. TERMINAL BOARD **					
	\triangle R691	1-249-415-11	CARBON	680	5%	1/4W F	\triangle R691	1-249-405-11	CARBON	100	5%	1/4W F
	\triangle R692	1-249-415-11	CARBON	680	5%	1/4W F						
	\triangle R693	1-249-416-11	CARBON	820	5%	1/4W F	\triangle R693	1-249-407-11	CARBON	150	5%	1/4W F
	\triangle R694	1-249-416-11	CARBON	820	5%	1/4W F						

The components identified by mark \triangle or dotted line with mark \triangle are critical for safety.
Replace only with part number specified.

Les composants identifiés par une marque \triangle sont critiques pour la sécurité.
Ne les remplacer que par une pièce portant le numéro spécifié.

Page	FORMER						NEW					
	Ref. No.	Part No.	Description				Ref. No.	Part No.	Description			
53	** SURROUND BOARD **						** SURROUND BOARD **					
	C201	1-161-379-00	CERAMIC	0.01uF	20%	25V	C201	1-162-306-11	CERAMIC	0.01uF	30%	16V
	C202	1-124-477-11	ELECT	47uF	20%	25V	C202	1-104-664-11	ELECT	47uF	20%	16V
	C203	1-161-379-00	CERAMIC	0.01uF	20%	25V	C203	1-162-306-11	CERAMIC	0.01uF	30%	16V
	C207	1-161-379-00	CERAMIC	0.01uF	20%	25V	C207	1-162-306-11	CERAMIC	0.01uF	30%	16V
	C209	1-161-379-00	CERAMIC	0.01uF	20%	25V	C209	1-162-306-11	CERAMIC	0.01uF	30%	16V
	C299	1-161-379-00	CERAMIC	0.01uF	20%	25V	C299	1-162-306-11	CERAMIC	0.01uF	30%	16V
	C310	1-124-927-11	ELECT	4.7uF	20%	100V	C310	1-126-963-11	ELECT	4.7uF	20%	50V
	C312	1-161-379-00	CERAMIC	0.01uF	20%	25V	C312	1-162-306-11	CERAMIC	0.01uF	30%	16V
	C322	1-124-927-11	ELECT	4.7uF	20%	100V	C322	1-126-963-11	ELECT	4.7uF	20%	50V
	C328	1-124-927-11	ELECT	4.7uF	20%	100V	C328	1-126-963-11	ELECT	4.7uF	20%	50V
	C330	1-124-927-11	ELECT	4.7uF	20%	100V	C330	1-126-963-11	ELECT	4.7uF	20%	50V
	C335	1-136-161-00	MYLAR	0.0047uF	5%	50V	C335	1-136-161-00	MYLAR	0.047uF	5%	50V
	C347	1-124-927-11	ELECT	4.7uF	20%	100V	C347	1-126-963-11	ELECT	4.7uF	20%	50V
	C349	1-124-927-11	ELECT	4.7uF	20%	100V	C349	1-126-963-11	ELECT	4.7uF	20%	50V
	C358	1-161-379-00	CERAMIC	0.01uF	20%	25V	C358	1-162-306-11	CERAMIC	0.01uF	30%	16V
	C359	1-124-927-11	ELECT	4.7uF	20%	100V	C359	1-126-963-11	ELECT	4.7uF	20%	50V
	C360	1-124-927-11	ELECT	4.7uF	20%	100V	C360	1-126-963-11	ELECT	4.7uF	20%	50V
54	C406	1-124-927-11	ELECT	4.7uF	20%	100V	C406	1-126-963-11	ELECT	4.7uF	20%	50V
	C408	1-124-477-11	ELECT	47uF	20%	25V	C408	1-104-664-11	ELECT	47uF	20%	16V
	C410	1-124-477-11	ELECT	47uF	20%	25V	C410	1-104-664-11	ELECT	47uF	20%	16V
	C416	1-124-927-11	ELECT	4.7uF	20%	100V	C416	1-126-963-11	ELECT	4.7uF	20%	50V
	C456	1-124-927-11	ELECT	4.7uF	20%	100V	C456	1-126-963-11	ELECT	4.7uF	20%	50V
	C458	1-124-477-11	ELECT	47uF	20%	25V	C458	1-104-664-11	ELECT	47uF	20%	16V
	C460	1-124-477-11	ELECT	47uF	20%	25V	C460	1-104-664-11	ELECT	47uF	20%	16V
	C822	1-124-477-11	ELECT	47uF	20%	25V	C822	1-104-664-11	ELECT	47uF	20%	16V
55	R822	1-247-811-31	CARBON	150	5%	1/4W	R822	1-249-407-11	CARBON	150	5%	1/4W F
56	** TRANSFORMER TERMINAL (2) BOARD **						** TRANSFORMER TERMINAL (2) BOARD **					
	△R980	1-249-413-11	CARBON	470	5%	1/4W F	△R980	1-249-407-11	CARBON	150	5%	1/4W F
	△R981	1-249-413-11	CARBON	470	5%	1/4W F						
	△R982	1-249-413-11	CARBON	470	5%	1/4W F(CND)	△R982	1-249-407-11	CARBON	150	5%	1/4W F(CND)
	△R983	1-249-413-11	CARBON	470	5%	1/4W F(CND)						
	** VIDEO BOARD **						** VIDEO BOARD **					
	C251	1-124-472-11	ELECT	470uF	20%	10V	C251	1-126-941-11	ELECT	470uF	20%	6.3V
	C252	1-124-927-11	ELECT	4.7uF	20%	100V	C252	1-126-963-11	ELECT	4.7uF	20%	50V
	C253	1-124-472-11	ELECT	470uF	20%	10V	C253	1-126-941-11	ELECT	470uF	20%	6.3V
	C254	1-124-927-11	ELECT	4.7uF	20%	100V	C254	1-126-963-11	ELECT	4.7uF	20%	50V
	C255	1-124-472-11	ELECT	470uF	20%	10V	C255	1-126-941-11	ELECT	470uF	20%	6.3V
	C256	1-124-927-11	ELECT	4.7uF	20%	100V	C256	1-126-963-11	ELECT	4.7uF	20%	50V
	C257	1-124-927-11	ELECT	4.7uF	20%	100V	C257	1-126-963-11	ELECT	4.7uF	20%	50V
	C259	1-124-927-11	ELECT	4.7uF	20%	100V	C259	1-126-963-11	ELECT	4.7uF	20%	50V
	C278	1-124-927-11	ELECT	4.7uF	20%	100V	C278	1-126-963-11	ELECT	4.7uF	20%	50V
57	#2	7-682-547-09	SCREW +BVTT 3X6 (S)				#2	7-685-871-01	SCREW +BVTT 3X6 (S)			
	#4	7-682-561-04	SCREW +BVTT 4X8 (S)				#4	4-381-962-11	SCREW +BVTT 4X8 (S)			

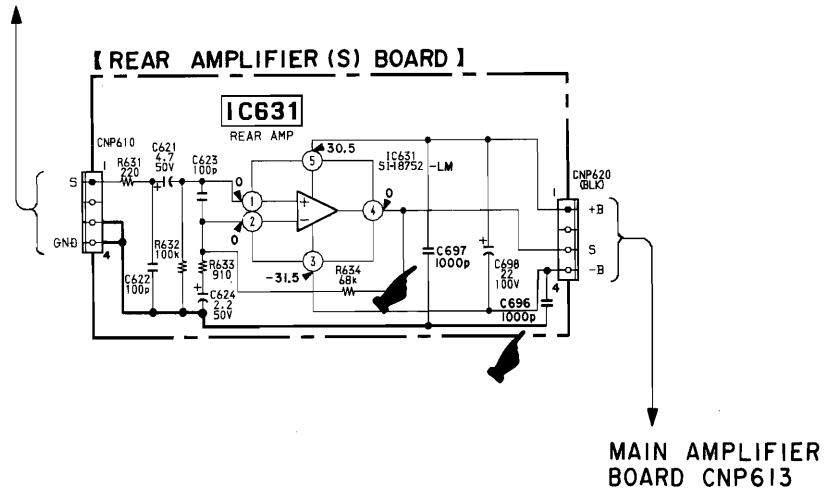
<p>The components identified by mark \triangle or dotted line with mark \triangle are critical for safety. Replace only with part number specified.</p>	<p>Les composants identifiés par une marque \triangle sont critiques pour la sécurité. Ne les remplacer que par une pièce portant le numéro spécifié.</p>
---	--

SCHEMATIC DIAGRAM (See page 25)

➤ : Added portion

Location : K-8 to K-10

VOLUME BOARD
CNP552



PRINTED WIRING BOARD (See page 31)

➤ : Added portion

Location : C-19 to C-20

[REAR AMPLIFIER (S) BOARD]

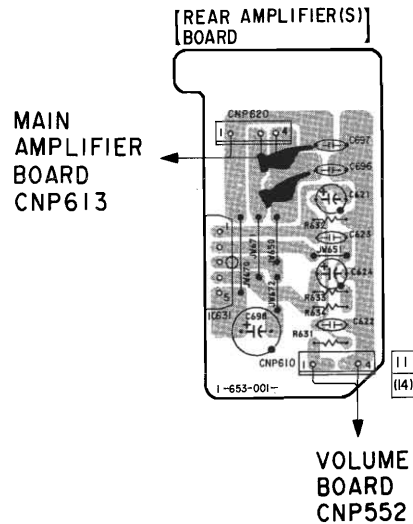
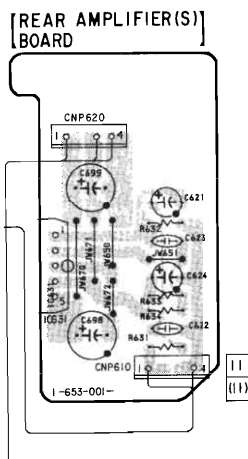
[REAR AMPLIFIER (S) BOARD]

Suffix No.

11
(11)

Suffix No.

11
(14)



4. CORRECTION

- Correct your service manual as shown below.

Page	INCORRECT			CORRECT		
	<u>Ref.No.</u>	<u>Part No.</u>	<u>Description</u>	<u>Ref.No.</u>	<u>Part No.</u>	<u>Description</u>
44-56	*	1-652-992-11	VIDEO BOARD *****	*	A-4371-335-A	VIDEO INPUT BOARD, COMPLETE *****